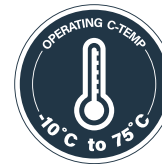
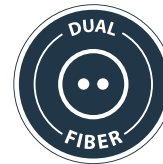
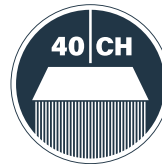
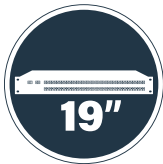


Features:

- 40 Channel Dual Fiber Gaussian DWDM Mux/Demux
- Channel Wavelengths: DWDM Ch. 20 – 59
- Channel Spacing: 100GHz
- 19" 1U Rack Mount
- Maximum Optical Power: 250mW
- Connector Type - All Ports: LC/UPC
- Operating Temperature: -5 to 65°C



- Maximum Optical Power: 250mW
- Connector Type - All Ports: LC/UPC
- Operating Temperature: -5 to 65°C
- Storage Temperature: -40 to 85°C
- Dimensions: 250mm x 440mm x 44mm
- Face Width: 482.6mm



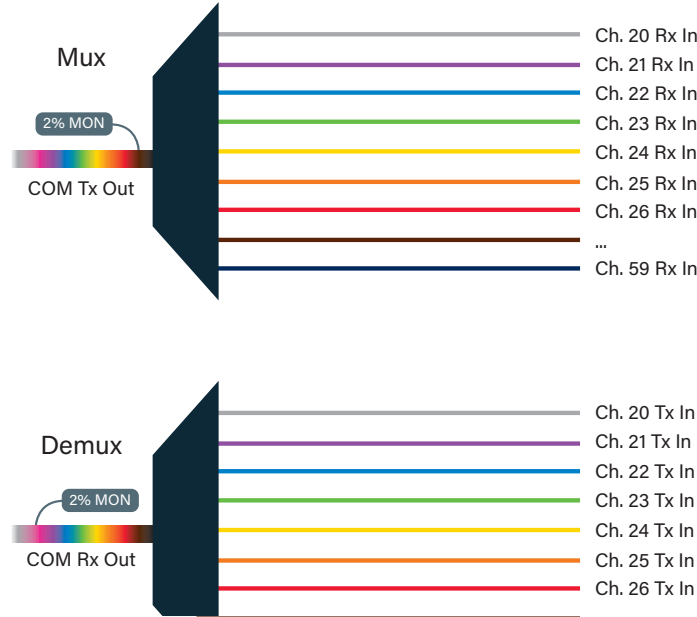
1. Optical Requirements

Parameter	Value
Passband, DWDM Channel Ports (Min.)	ITU±0.11nm
MON Operating Wavelength	1260nm - 1620nm
Passband Ripple	≤ 0.5dB
Isolation, Adjacent Channel - DWDM (Min.)	≥ 25dB
Isolation, Non-Adjacent Channel - DWDM (Min.)	≥ 30dB
Return Loss - All Ports (Min., Including Connectors)	≥ 40dB
Directivity - DWDM Ports (Min.)	≥ 40dB
Polarization Dependent Loss (Max.)	≤ 0.7dB
Polarization Mode Dispersion (Max.)	≤ 0.5ps

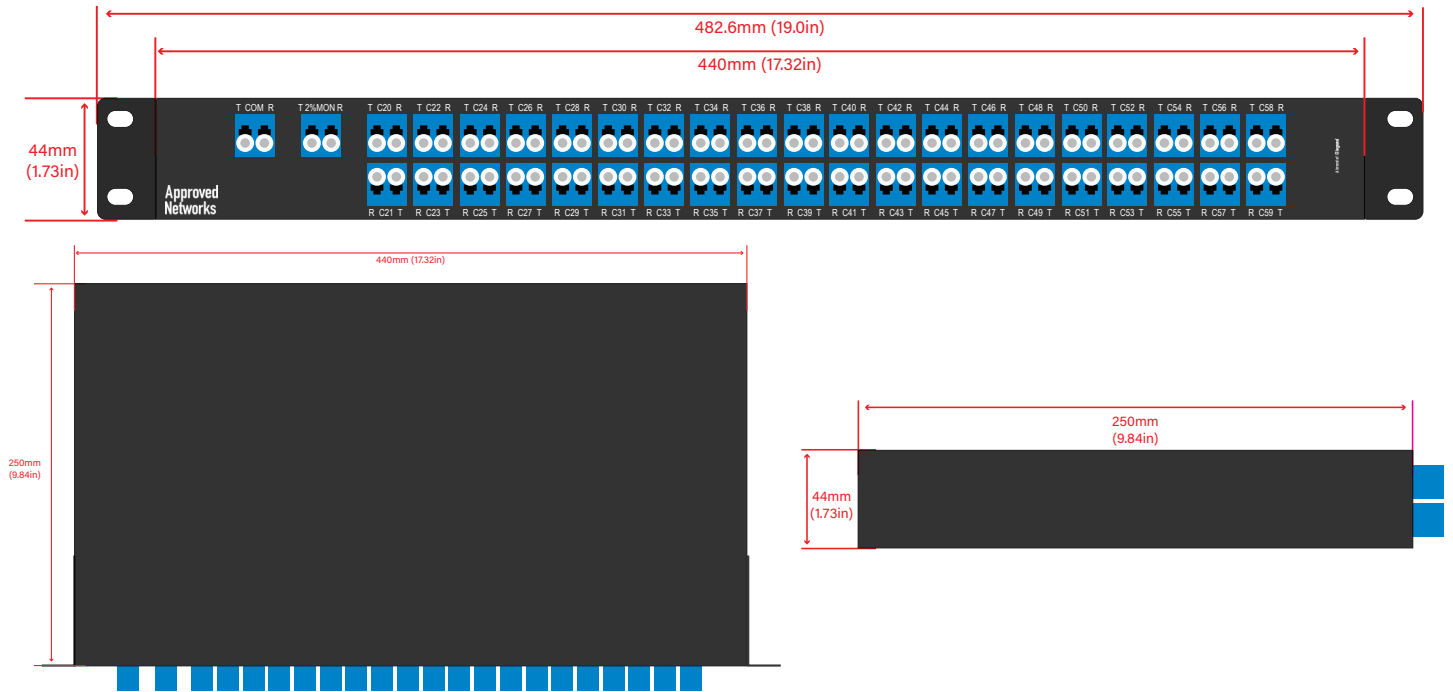
2. Insertion Loss

Parameter	Value
DWDM Channel Insertion Loss (Typ., Incl. Connectors)	3.5dB
DWDM Channel Insertion Loss (Max., Incl. Connectors)	≤ 4.0dB
MON Port Insertion Loss (Incl. Connectors)	23.0dB Mux/19.0dB Demux

3. Network Diagram



4. Mechanical Diagram



5. Ordering Information

Part Number	Description
ZS-DWDM-MDG-100-40-L-8-0-20-R	DWDM M/D Gaussian AWG 100GHz 40 CH., LC, 8 Skip 0, CH. 20 Start, 2% Mon, 1RU

6. Contact Information

Tel: 800.590.9535

Web: <http://www.approvednetworks.com>