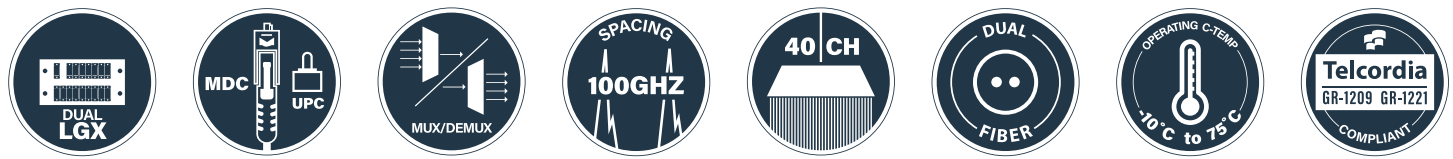
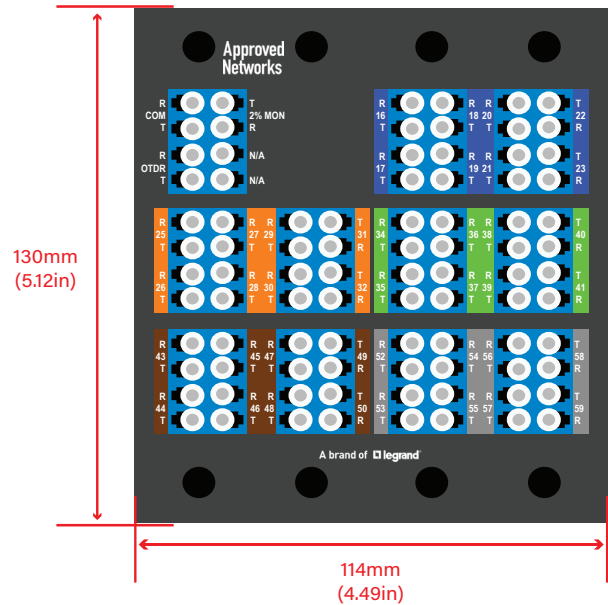


Features:

- 40+1 Channel Dual Fiber DWDM Mux/Demux Rackmount with Flat Top AAWG Filter
- Channel Wavelengths: AWG
 - CH. 16 - CH. 23
 - CH. 25 - CH. 32
 - CH. 34 - CH. 41
 - CH. 43 - CH. 50
 - CH. 52 - CH. 59
- OTDR Center Wavelength: 1625nm
- Channel Spacing: 100GHz
- RoHS Compliant
- Reliability: Telcordia GR-1209,GR-1221
- Maximum Optical Power: 300mW
- Connector Type - All Ports: LC/UPC
- Operating Temperature: -5 to 65°C
- Center Wavelength Accuracy: $\pm 0.05\text{nm}$
- Storage Temperature: -40 to 85°C
- Storage Humidity: 5% to 95% RH
- Dimensions: 200mm x 100mm x 114mm
- Faceplate: 130mm



1. Optical Requirements

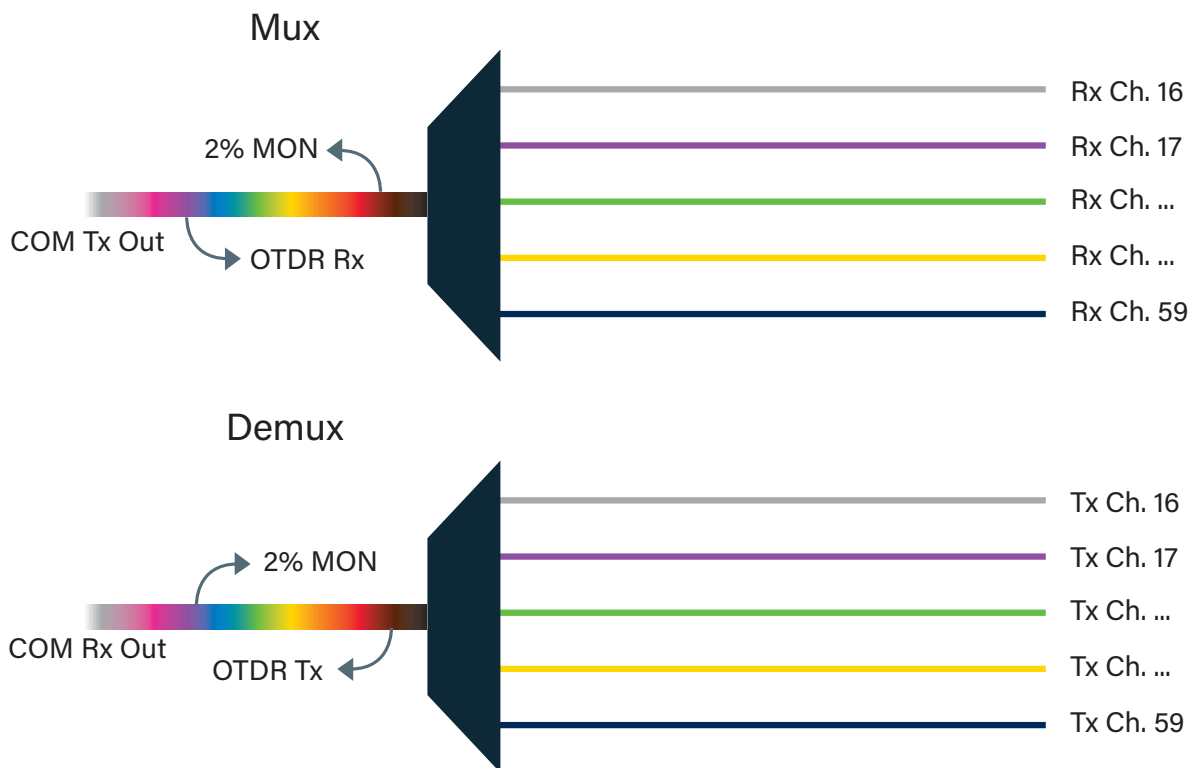
Parameter	Value
Passband Width - Clear AWG Channel Ports	ITU \pm 0.1nm
Passband Width (Min.) - 0.5dB Bandwidth	$\geq 25.0\text{GHz}$
Passband Width (Min.) - 1dB Bandwidth	$\geq 49.0\text{GHz}$
Passband Width (Min.) - 3dB Bandwidth	$\geq 80.0\text{GHz}$
Passband Width (Min.) - OTDR Port	T1600-1670, R1260-1580nm
Passband Ripple (Max.)	$\leq 0.5\text{dB}$
Isolation, Adjacent Channel - AWG	6dB
Isolation, Non-Adjacent Channel - AWG	25dB
Isolation for OTDR Port	30dB

Return Loss - AWG Ports (Min.)	$\geq 40\text{dB}$
Directivity	$\geq 40\text{dB}$
Polarization Dependent Loss	$\leq 1.0\text{dB}$
Polarization Mode Dispersion	$\leq 6.0\text{ps}$

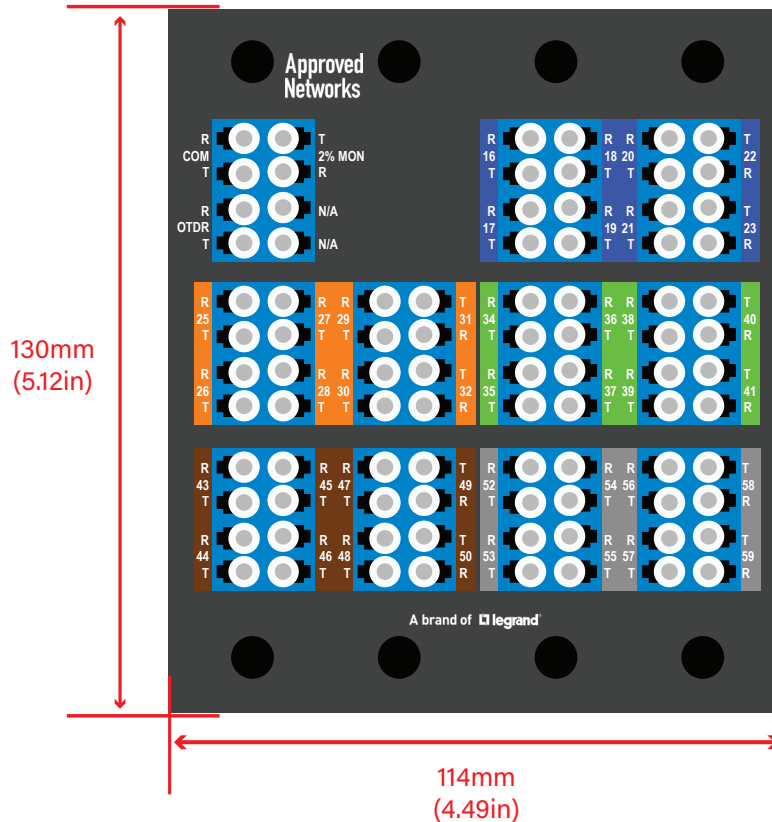
2. Insertion Loss

Parameter	Value
AWG Insertion Loss (Max., Incl. Connectors)	$\leq 6.0\text{dB}$
AWG Insertion Loss (Typ., Incl. Connectors)	5.6dB
OTDR Port Insertion Loss (Max., Incl. Connectors)	1.0dB
OTDR Port Insertion Loss (Typ., Incl. Connectors)	0.8dB
MON Port Insertion Loss	25.0dB Mux/19.3dB Demux

3. Network Diagram



4. Mechanical Diagram



5. Ordering Information

Root SKU	Part Number	Description
D1F40LC16171110	ZS-DWDM-MDFO-100-40-L-8-1-16-4L	DWDM 100GHz Spacing, Mux/Demux Pair (Dual Fiber), Flat Top AAWG, 40 Channel, L (LC/UPC), Channel 16 Start, Single Module, 4 Wide LGX, OTDR, 8 Skip 1, MON 2% M/D, 80Ghz Passband

6. Contact Information

Tel: 800.590.9535

Web: <http://www.approvednetworks.com>