

PASSIVES DATA SHEET

FTTx OSP Optical Splitters



Champion ONE's FTTx optical splitters are designed to accommodate easy installation access to PON optical distribution networks (ODN). The splitters are broad spectrum single mode fiber devices that pass all the standard wavelengths of current and future Passive Optical Network (PON) technologies. These splitters are packaged in compact OSP cassettes for deployment in many industry-standard splice cases, and can include bare or connectorized fiber pigtails.

Technical Specifications

Parameters	1x2	1x4	1x8	1x16	1x32
Operating Wavelength (nm)	1260–1650	1260–1650	1260–1650	1260–1650	1260–1650
Insertion Loss (dB)	4.0	7.4	10.7	13.7	16.9
Loss Uniformity (dB)	0.4	0.6	0.8	1.0	1.5
Polarization Dependent Loss (dB)	0.1	0.1	0.1	0.2	0.25
Return Loss (dB)	55	55	55	55	55
Directivity (dB)	55	55	55	55	55
Wavelength Dependent Loss (dB)	0.3	0.3	0.3	0.3	0.5
Temperature Stability (@ -40 to 85) (dB)	0.5	0.5	0.5	0.5	0.5
Operating and Storage Temperature (°C)	-40 to 85	-40 to 85	-40 to 85	-40 to 85	-40 to 85
Fiber Type	G657A1	G657A1	G657A1	G657A1	G657A1
Connector Type	Bare fiber or SC/APC – see Ordering Information below for details				
Dimensions (mm LxWxH)	100x80x10	100x80x10	100x80x10	100x80x10	120x80x18

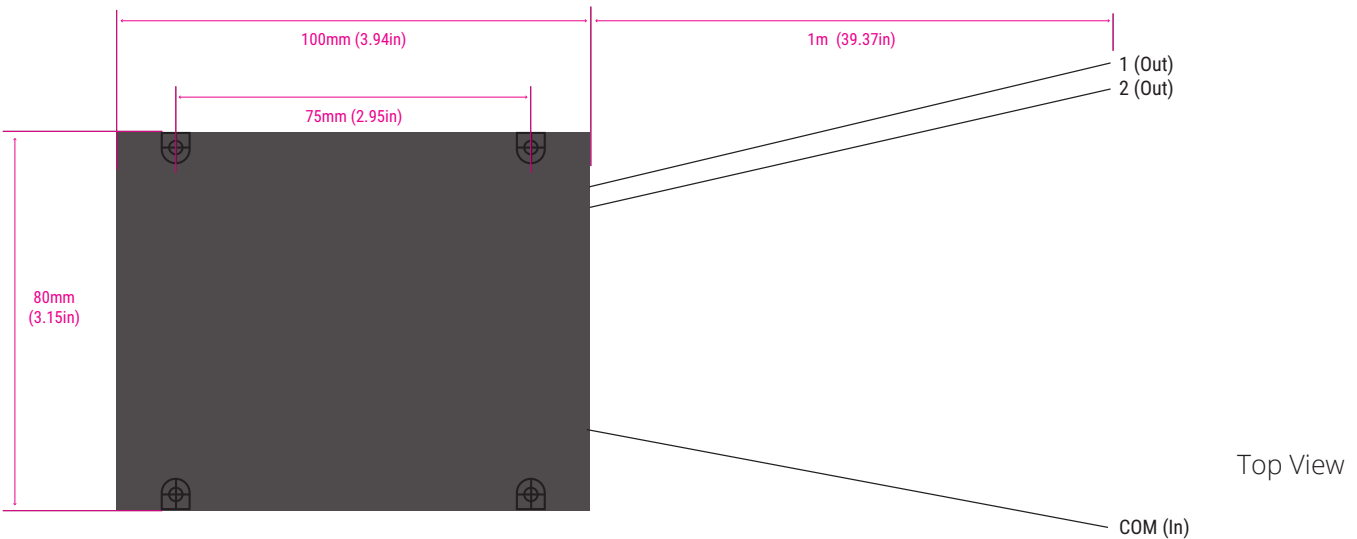
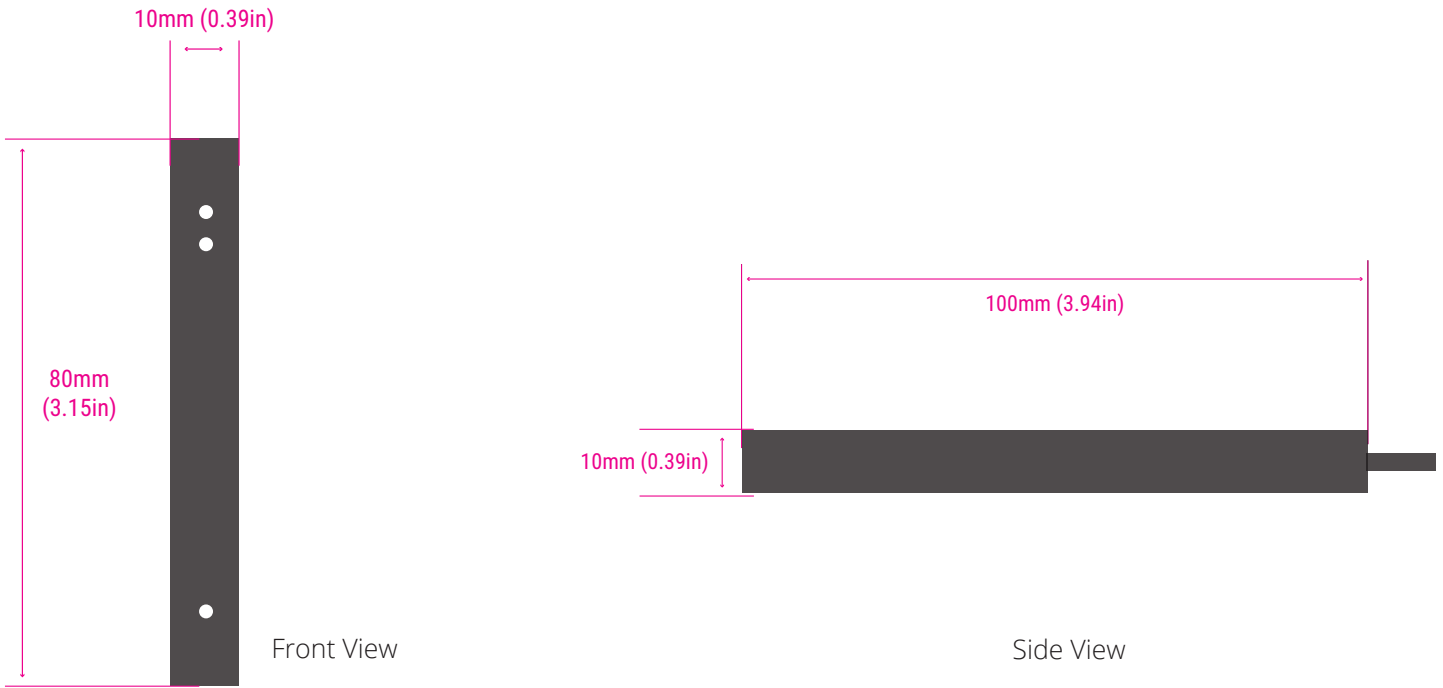
Ordering Information

C1 Part Number	Description
PLCS-C1-02-1M	FTTx splitter, cassette 1 Svc, 1x2 1260-1650nm, 900um, 1M pigtails
PLCS-C1-04-1M	FTTx splitter, cassette 1 Svc, 1x4 1260-1650nm, 900um, 1M pigtails
PLCS-C1-08-1M	FTTx splitter, cassette 1 Svc, 1x8 1260-1650nm, 900um, 1M pigtails
PLCS-C1-16-1M	FTTx splitter, cassette 1 Svc, 1x16 1260-1650nm, 900um, 1M pigtails
PLCS-C1-32-1M	FTTx splitter, cassette 1 Svc, 1x32 1260-1650nm, 900um, 1M pigtails

C1 Part Number	Description
PLCS-C1-02-1M-SA	FTTx splitter, cassette 1 Svc, 1x2 1260-1650nm, 900um, 1M pigtails, SC/APC
PLCS-C1-04-1M-SA	FTTx splitter, cassette 1 Svc, 1x4 1260-1650nm, 900um, 1M pigtails, SC/APC
PLCS-C1-08-1M-SA	FTTx splitter, cassette 1 Svc, 1x8 1260-1650nm, 900um, 1M pigtails, SC/APC
PLCS-C1-16-1M-SA	FTTx splitter, cassette 1 Svc, 1x16 1260-1650nm, 900um, 1M pigtails, SC/APC
PLCS-C1-32-1M-SA	FTTx splitter, cassette 1 Svc, 1x32 1260-1650nm, 900um, 1M pigtails, SC/APC

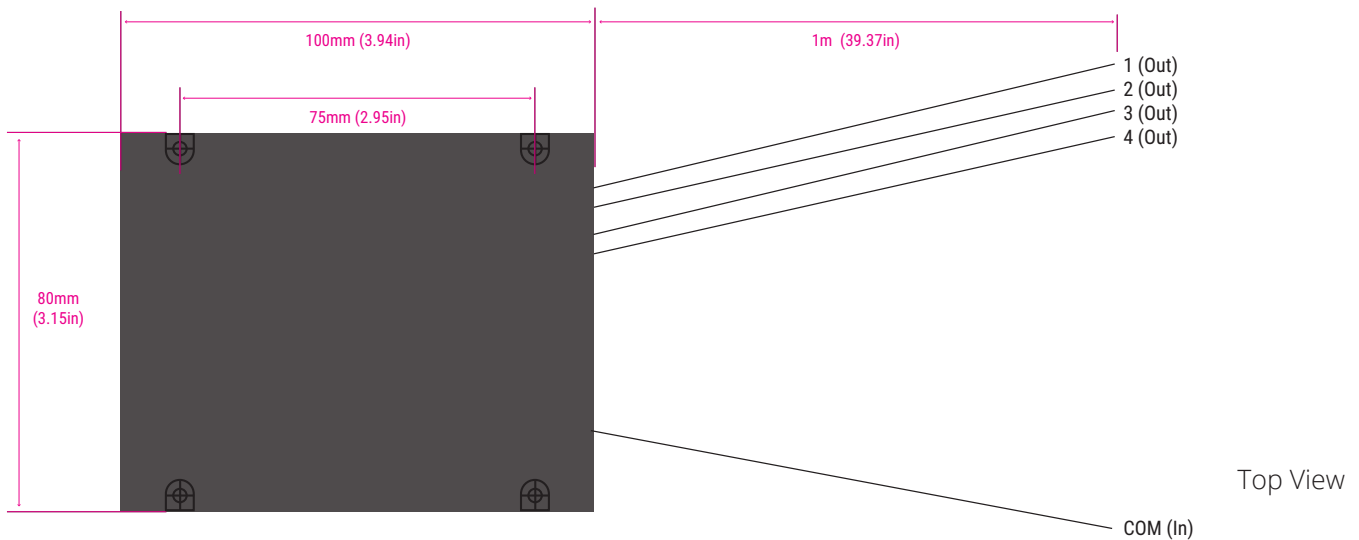
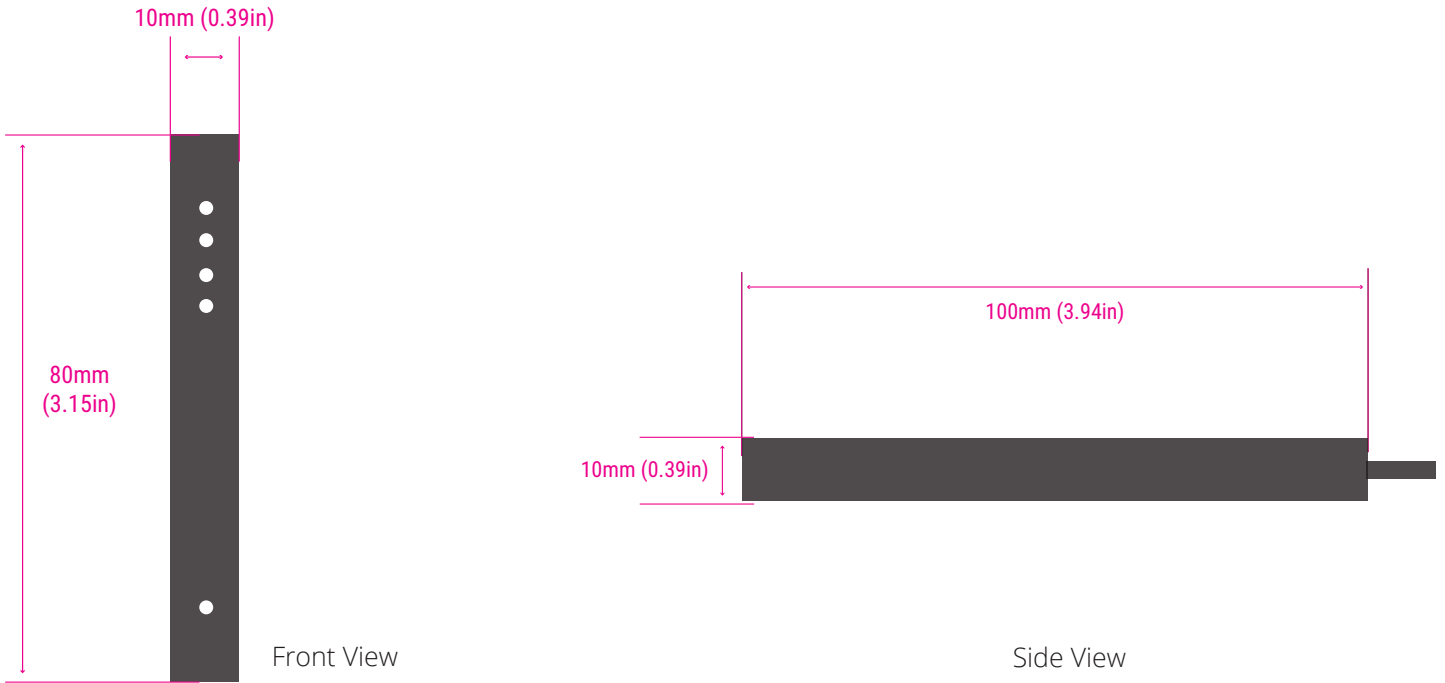
Physical Diagrams

PLCS-C1-02-1M(-SA)



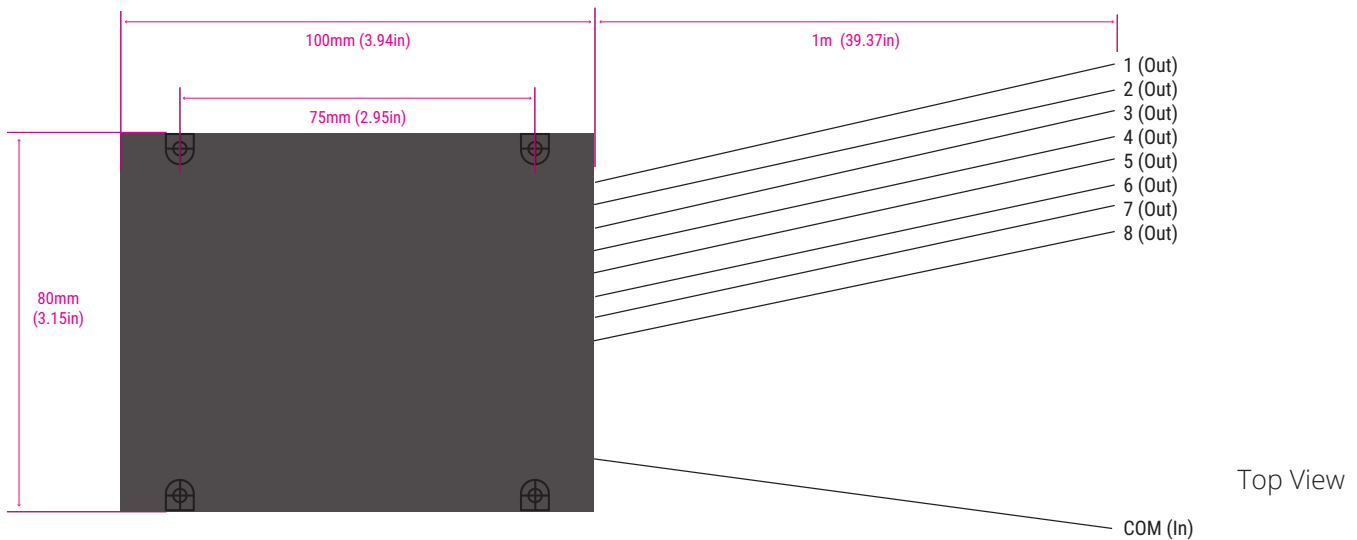
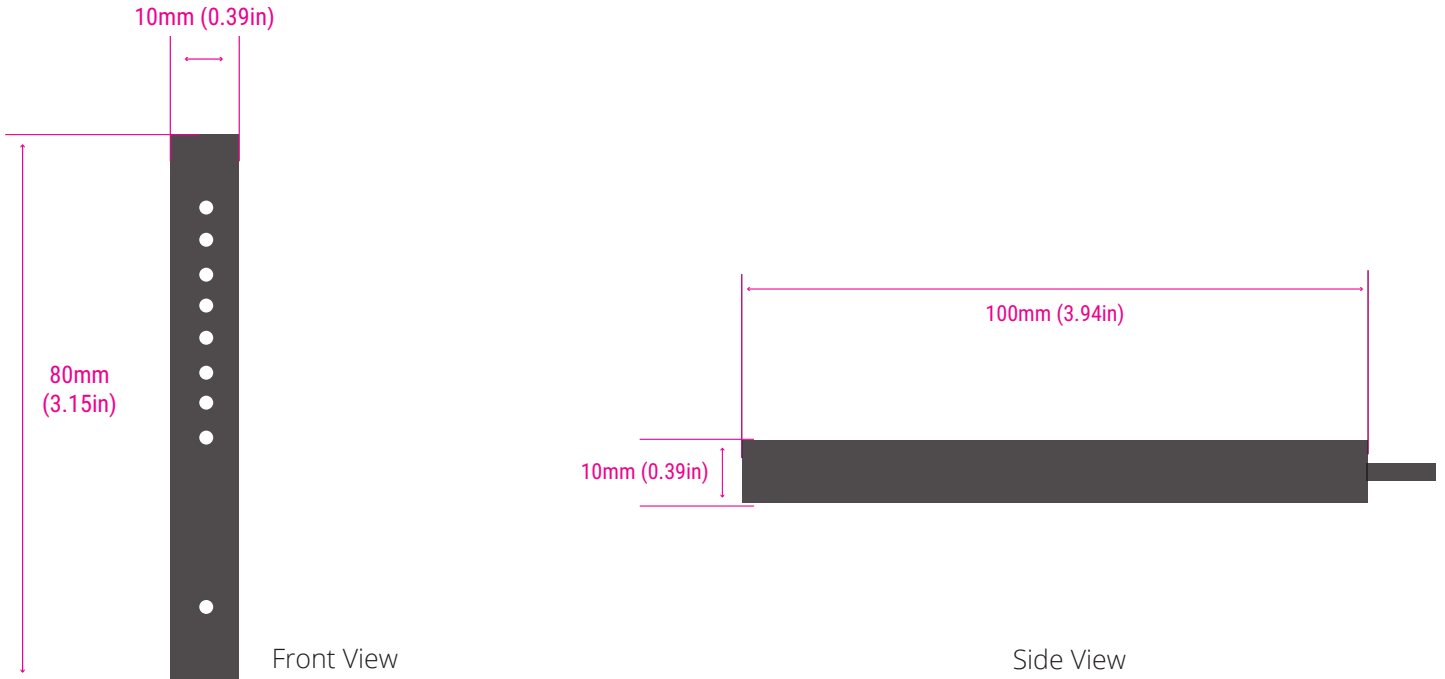
Physical Diagrams

PLCS-C1-04-1M(-SA)



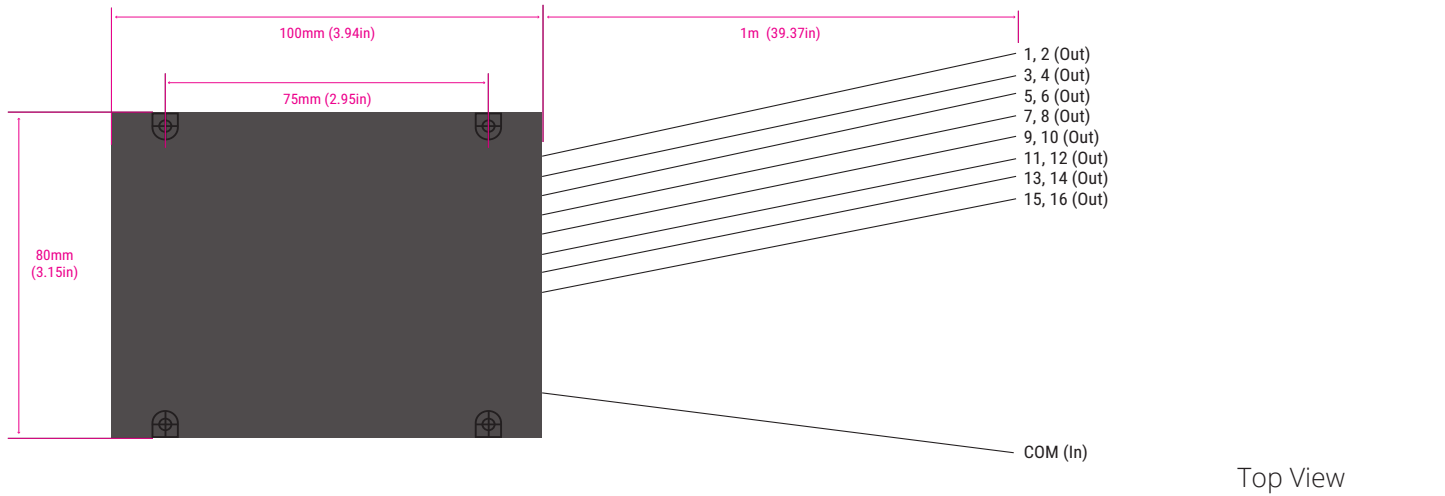
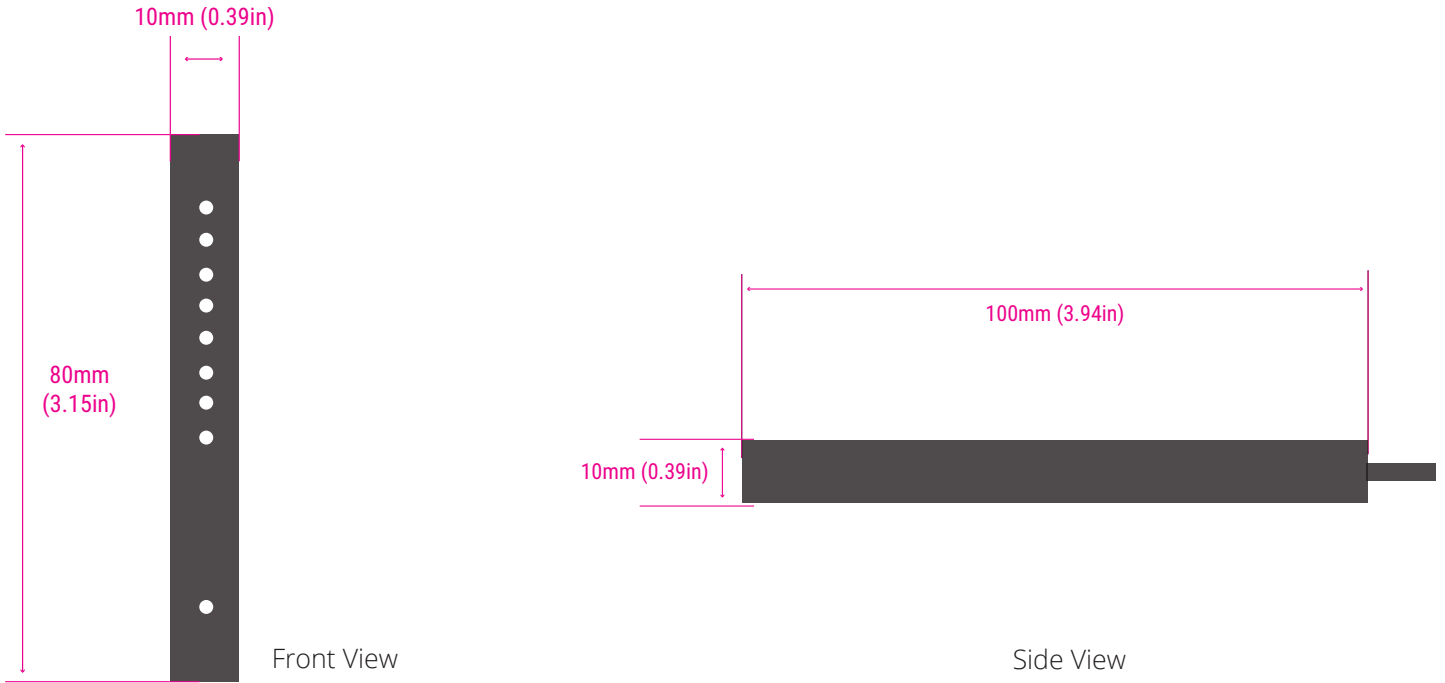
Physical Diagrams

PLCS-C1-08-1M(-SA)



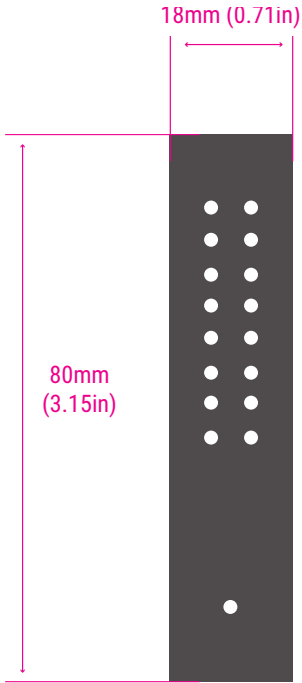
Physical Diagrams

PLCS-C1-16-1M(-SA)

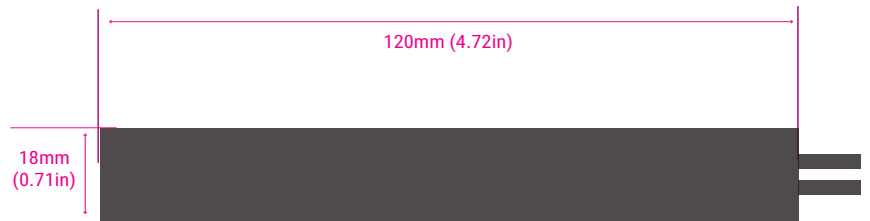


Physical Diagrams

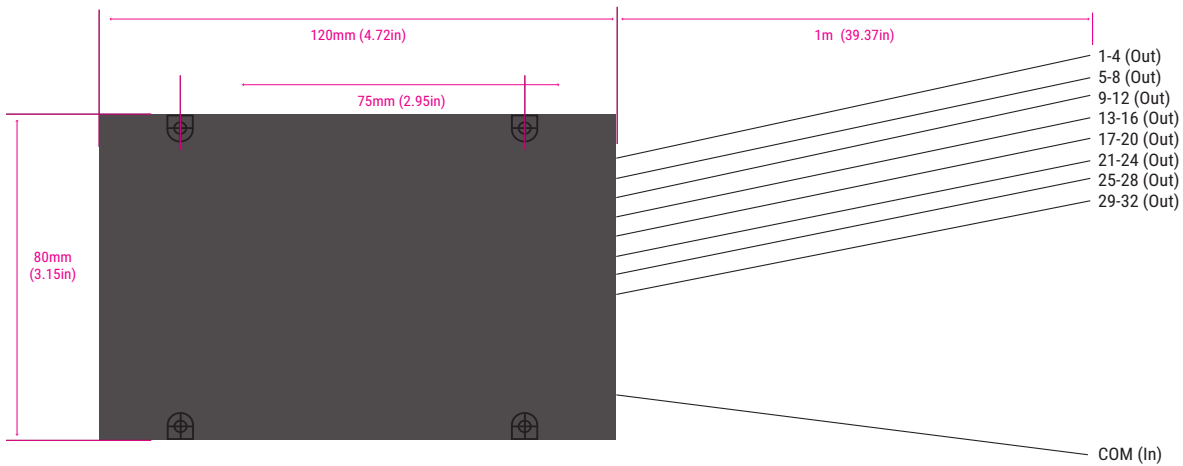
PLCS-C1-32-1M(-SA)



Front View



Side View



Top View