

PASSIVES DATA SHEET


40 Channel Dual Fiber DWDM Mux/ Demux ITU Ch. 16 – 59 + OTDR + Amp In/Out

Champion ONE's DWDM passive networking products for inside-plant applications provide a cost-effective, high-reliability solution to fiber capacity challenges.

Technical Specifications

WAVELENGTH INFORMATION

DWDM channel wavelengths: ITU Ch.16–23,25–32,34–41,43–50,52–59,
100GHz spacing
OTDR operating wavelength: 1625nm
Passband width: ITU ± 0.1nm

FORM FACTOR AND CONNECTOR TYPES

1RU Enclosure
LC/UPC connector (all ports)

DIMENSIONS (LXWXH)

Body: 250 x 440 x 44 mm
Faceplate: 482.6 x 44mm

TEMPERATURE RANGE

-5° C to 65° C (operating)
-40° C to 85° C (storage)

WARRANTY

All feature a limited 5-year warranty

COMPLIANCES

RoHS compliant
Telcordia GR-1209, GR-1221

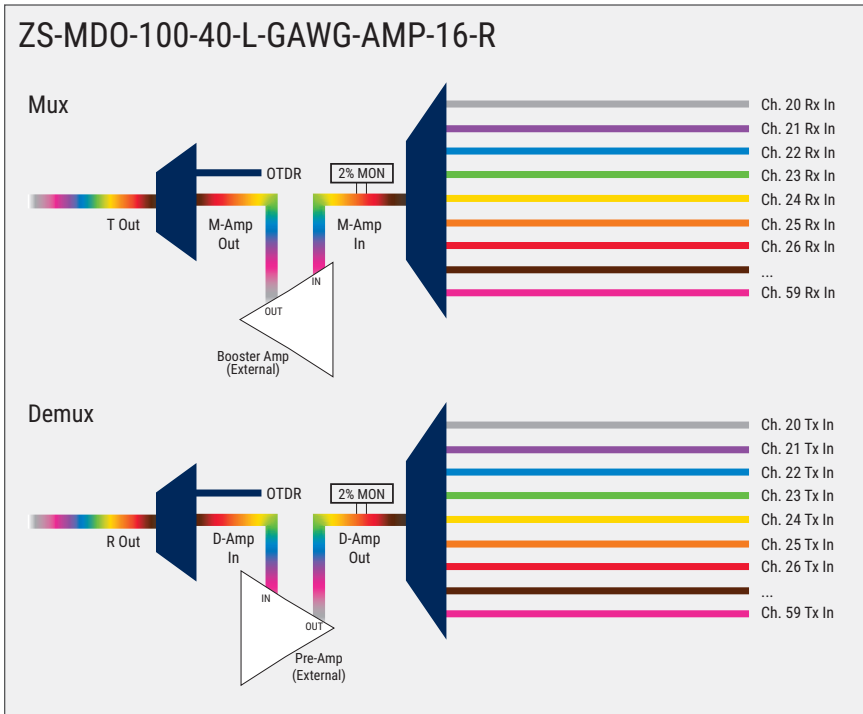
Parameter	Value
DWDM Channel Insertion Loss (dB)	≤ 4.8
OTDR Port Insertion Loss (dB)	≤ 1.0
Amp In/Out Port Insertion Loss (dB)	≤ 0.8
MON Port Insertion Loss (mux/demux, dB)	≤ 23.8 / 19.0
Passband Ripple (dB)	≤ 0.5
Adjacent Channel Isolation between DWDM Channels (dB)	≥ 25
Non-Adjacent Channel Isolation Between DWDM Channels (dB)	≥ 29
Total Channel Isolation (dB)	≥ 22
OTDR Port Isolation (dB)	≥ 30

Parameter	Value
Amp In/Out Port Isolation (dB)	≥ 15
Polarization Dependent Loss (dB)	≤ 0.5
Directivity (dB)	≥ 40 (DWDM) ≥ 50 (OTDR)
Return Loss (dB)	≥ 40 (DWDM) ≥ 45 (OTDR)
Polarization Mode Dispersion (ps)	≤ 0.5
Fiber Type	SMF-28e+ 900 μm
Filter Type	Gaussian AAWG
Max Power Handling (mW)	300

Ordering Information

C1 Part Number	Description
ZS-MDO-100-40-L-GAWG-AMP-16-R	DWDM M/D, OTDR, 100GHz, 40CH, LC, Gaussian AAWG, AMP ports, CH16 start, 8 skip 1, 2% Mon, 1RU, Lo IL

Network Diagram



NOTE: When an amplifier is not in use, please use the included loopback plugs in the Amp In/Out ports.



Physical Diagram

