

INTELLIPOINT DATA SHEET

4 Channel OSP Dual Fiber DWDM Mux/Demux



Champion ONE's DWDM passive networking products for outside-plant applications provide a cost-effective, high-reliability solution to fiber capacity challenges.

Technical Specifications

STANDARDS AND REGULATORY COMPLIANCE

Express port: 1470nm–1620nm (excl. DWDM channels)
 DWDM channel wavelengths: ITU ch. 16–19, 20–23, 25–28, 29–32, 34–37, 38–41, 43–46, 47–50, 52–55, 56–59, 100GHz spacing
 Passband width: ITU ± 0.11 nm

FORM FACTOR AND CONNECTOR TYPE

OSP Cassette
 Bare fibers

DIMENSIONS (LXWXH)

Body: 70 x 70 x 8 mm
 2m fiber pigtailed

TEMPERATURE RANGE

-40° C to 85° C (operating and storage)

WARRANTY

All feature a limited 5-year warranty

COMPLIANCES

RoHS compliant
 Telcordia GR-1209, GR-1221

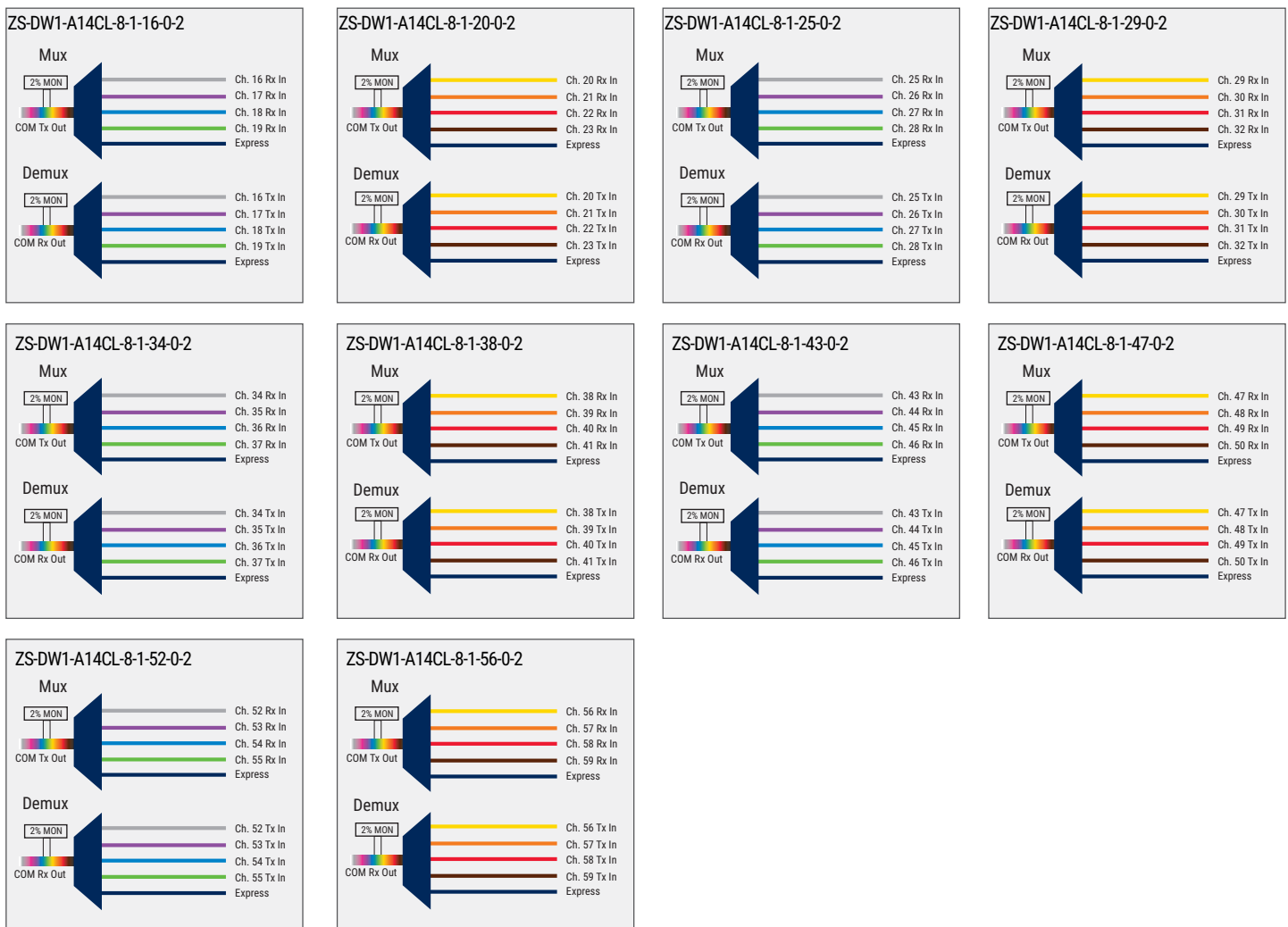
Parameter	Value
DWDM Channel Insertion Loss (dB)	≤ 2.7*
Express Channel Insertion Loss (dB)	≤ 2.3*
MON Port Insertion Loss (mux/demux, dB)	≤ 21.7 / 19.0
Passband Ripple (dB)	≤ 0.5
Adjacent Channel Isolation between DWDM Channels (dB)	≥ 30
Non-Adjacent Channel Isolation Between DWDM Channels (dB)	≥ 40
Express Channel Port Isolation (dB)	≥ 12

Parameter	Value
Polarization Dependent Loss (dB)	≤ 0.2
Directivity (dB)	≥ 50
Return Loss (dB)	≥ 45
Polarization Mode Dispersion (ps)	≤ 0.2
Fiber Type	SMF-28 or equivalent
Filter Type	TFF
Max Power Handling (mW)	300

*For specific channel and paired loss information, see pages 3-7.

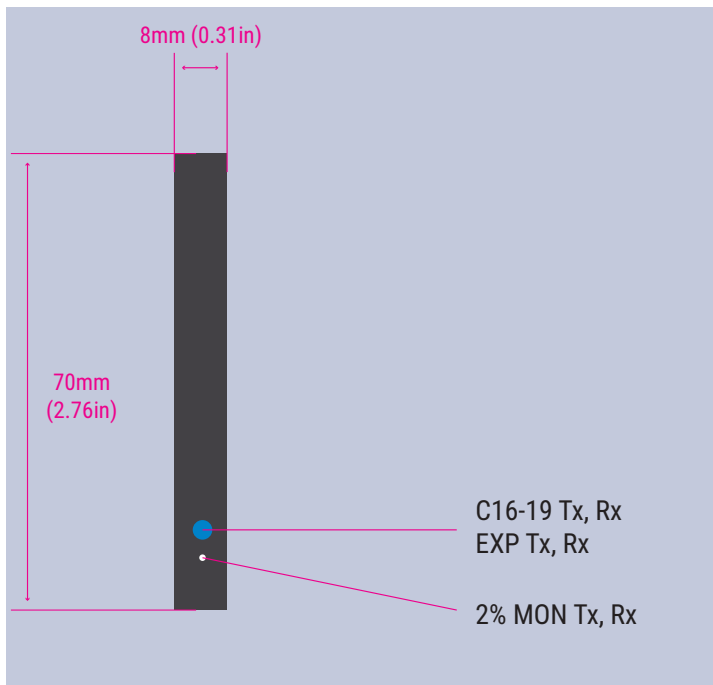
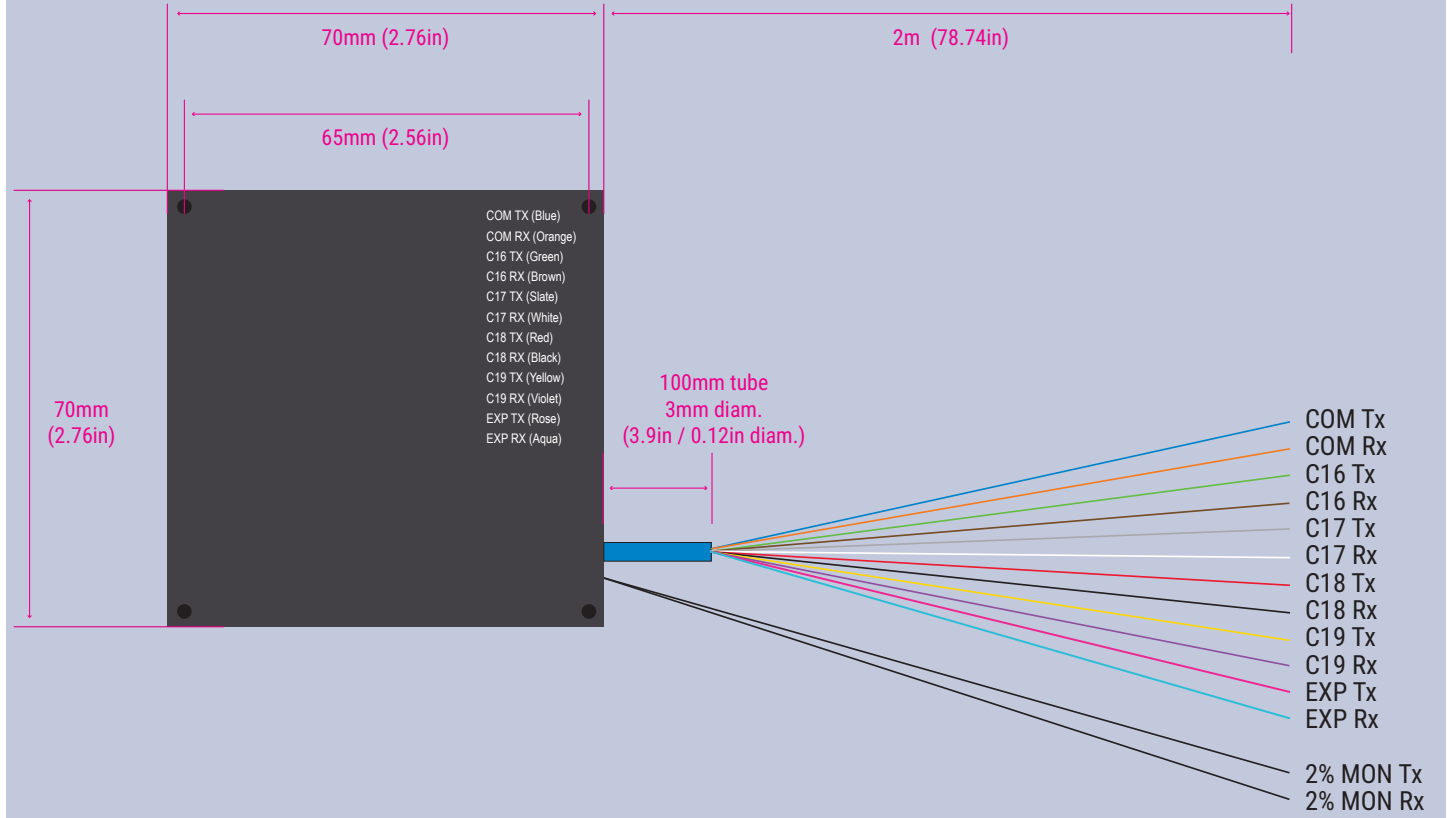
Ordering Information

C1 Part Number	Description
BARE FIBER MODULES	
ZS-DW1-A14CL-8-1-16-0-2	DWDM M/D 100GHz 4 Ch, LC and 900um (Mon only), Ch 16 start, 8+1 skip, Express, Mon, 2M fibers, Module only
ZS-DW1-A14CL-8-1-20-0-2	DWDM M/D 100GHz 4 Ch, LC and 900um (Mon only), Ch 20 start, 8+1 skip, Express, Mon, 2M fibers, Module only
ZS-DW1-A14CL-8-1-25-0-2	DWDM M/D 100GHz 4 Ch, LC and 900um (Mon only), Ch 25 start, 8+1 skip, Express, Mon, 2M fibers, Module only
ZS-DW1-A14CL-8-1-29-0-2	DWDM M/D 100GHz 4 Ch, LC and 900um (Mon only), Ch 29 start, 8+1 skip, Express, Mon, 2M fibers, Module only
ZS-DW1-A14CL-8-1-34-0-2	DWDM M/D 100GHz 4 Ch, LC and 900um (Mon only), Ch 34 start, 8+1 skip, Express, Mon, 2M fibers, Module only
ZS-DW1-A14CL-8-1-38-0-2	DWDM M/D 100GHz 4 Ch, LC and 900um (Mon only), Ch 38 start, 8+1 skip, Express, Mon, 2M fibers, Module only
ZS-DW1-A14CL-8-1-43-0-2	DWDM M/D 100GHz 4 Ch, LC and 900um (Mon only), Ch 43 start, 8+1 skip, Express, Mon, 2M fibers, Module only
ZS-DW1-A14CL-8-1-47-0-2	DWDM M/D 100GHz 4 Ch, LC and 900um (Mon only), Ch 47 start, 8+1 skip, Express, Mon, 2M fibers, Module only
ZS-DW1-A14CL-8-1-52-0-2	DWDM M/D 100GHz 4 Ch, LC and 900um (Mon only), Ch 52 start, 8+1 skip, Express, Mon, 2M fibers, Module only
ZS-DW1-A14CL-8-1-56-0-2	DWDM M/D 100GHz 4 Ch, LC and 900um (Mon only), Ch 56 start, 8+1 skip, Express, Mon, 2M fibers, Module only

Network Diagram


Technical Diagrams

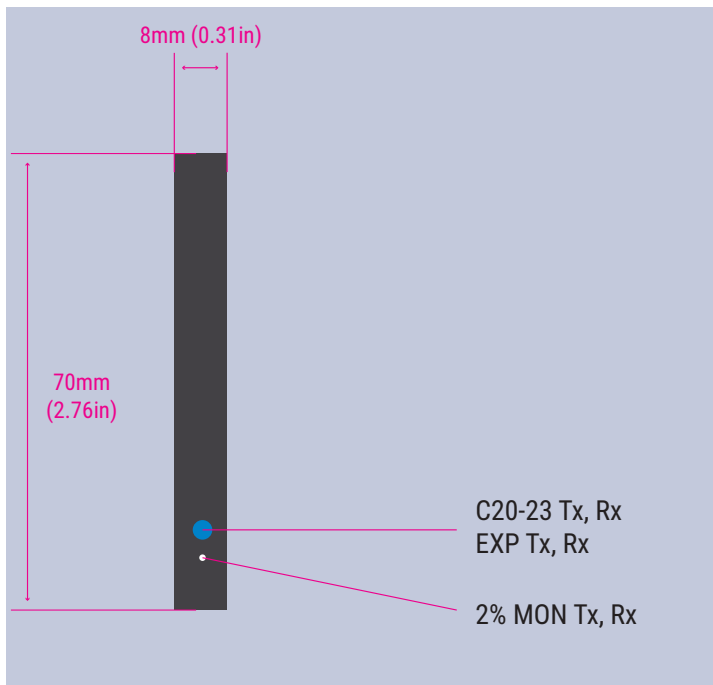
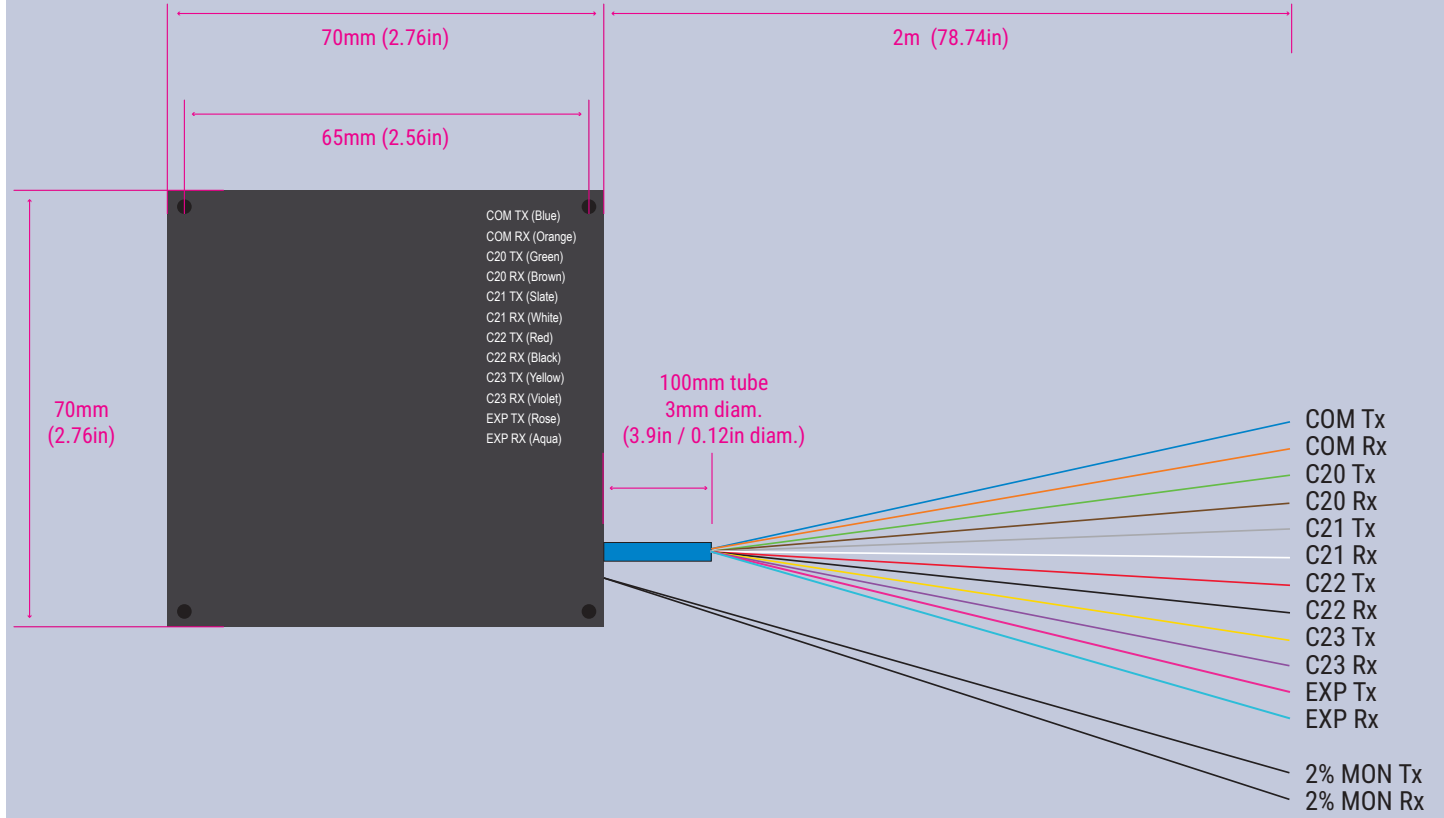
ZS-DW1-A14CL-8-1-16-0-2



Channel	Mux IL (dB)	Dmx IL (dB)	Paired IL (dB)
ITU ch. 16	≤ 1.5	≤ 2.7	≤ 4.2
ITU ch. 17	≤ 1.9	≤ 2.3	≤ 4.2
ITU ch. 18	≤ 2.3	≤ 1.9	≤ 4.2
ITU ch. 19	≤ 2.7	≤ 1.5	≤ 4.2
EXP	≤ 2.3	≤ 2.3	≤ 4.6

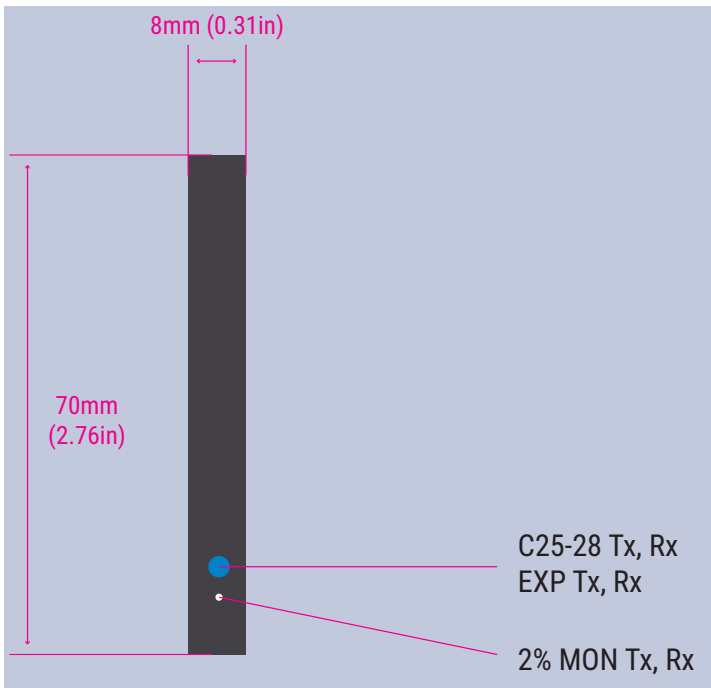
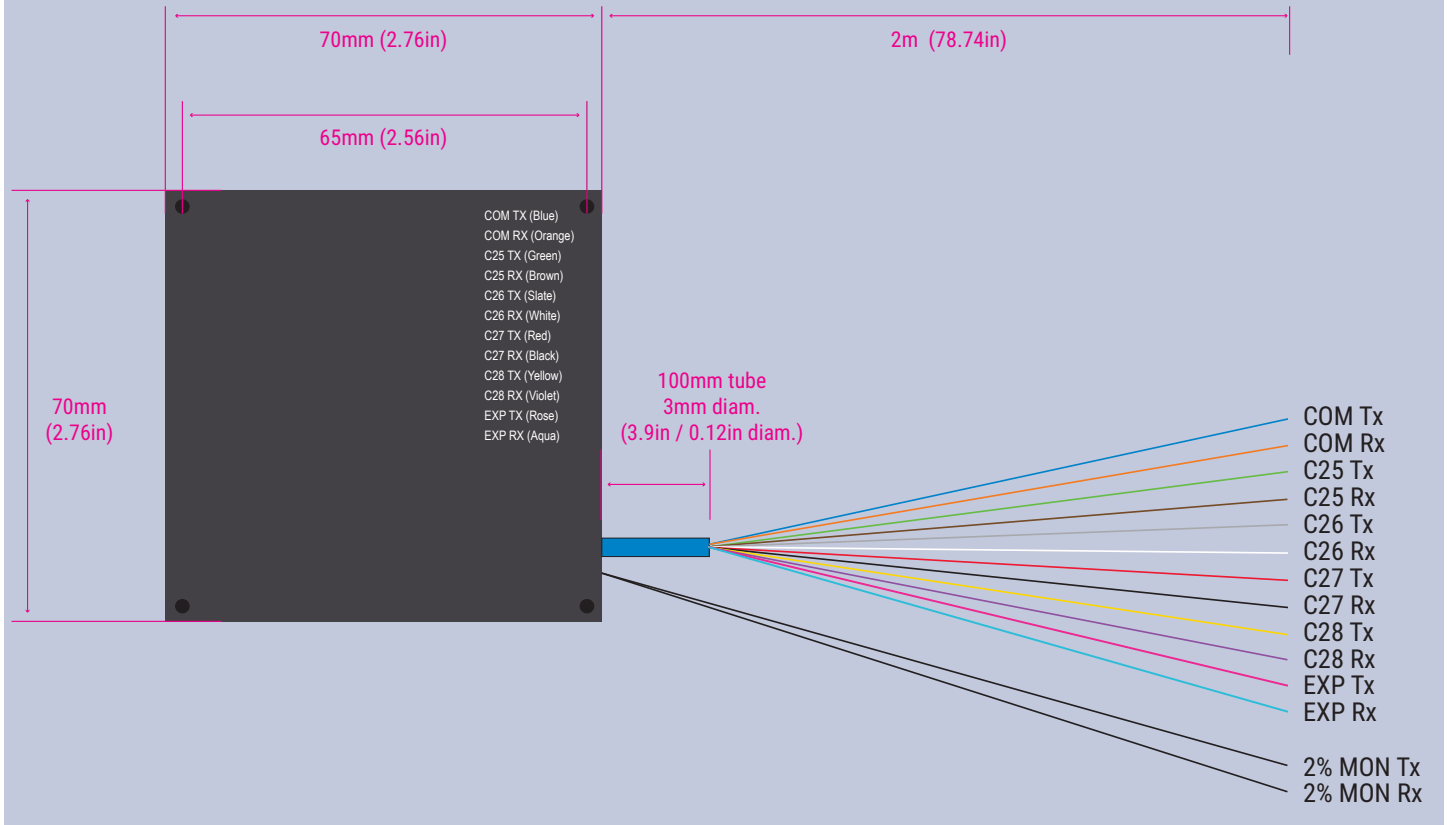
Technical Diagrams

ZS-DW1-A14CL-8-1-20-0-2



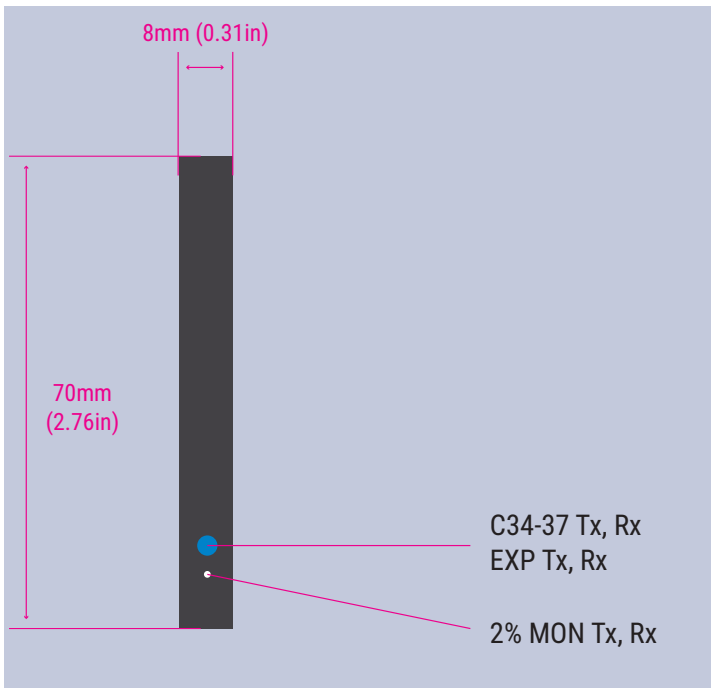
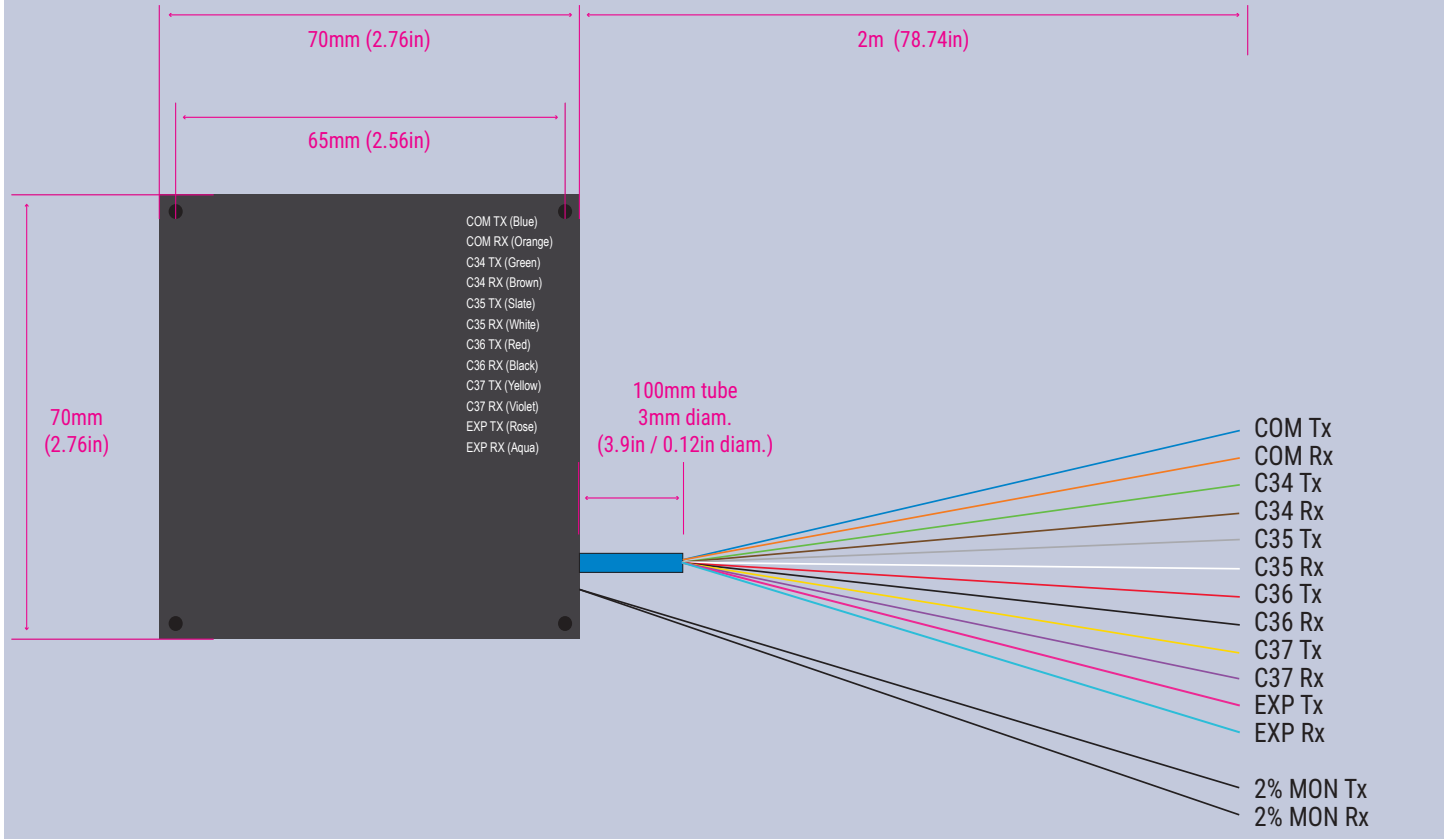
Channel	Mux IL (dB)	Dmx IL (dB)	Paired IL (dB)
ITU ch. 20	≤ 1.5	≤ 2.7	≤ 4.2
ITU ch. 21	≤ 1.9	≤ 2.3	≤ 4.2
ITU ch. 22	≤ 2.3	≤ 1.9	≤ 4.2
ITU ch. 23	≤ 2.7	≤ 1.5	≤ 4.2
EXP	≤ 2.3	≤ 2.3	≤ 4.6

ZS-DW1-A14CL-8-1-25-0-2



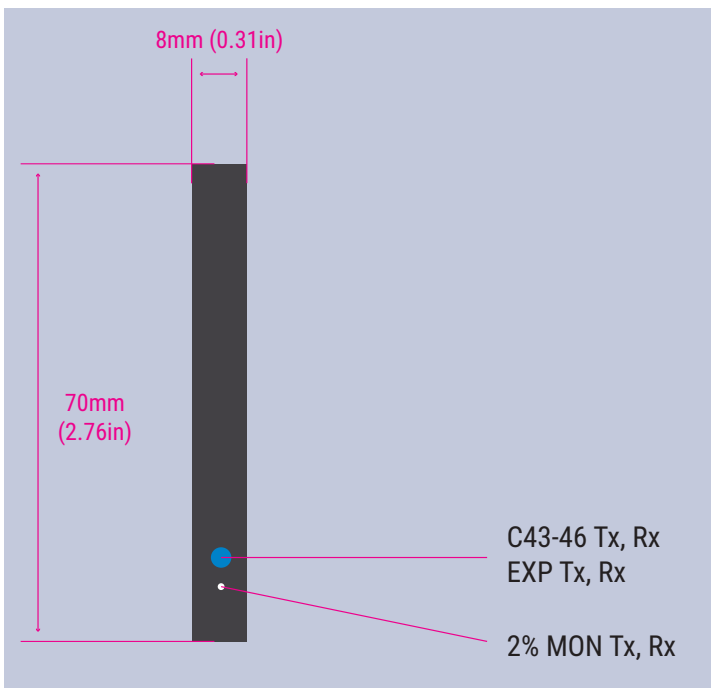
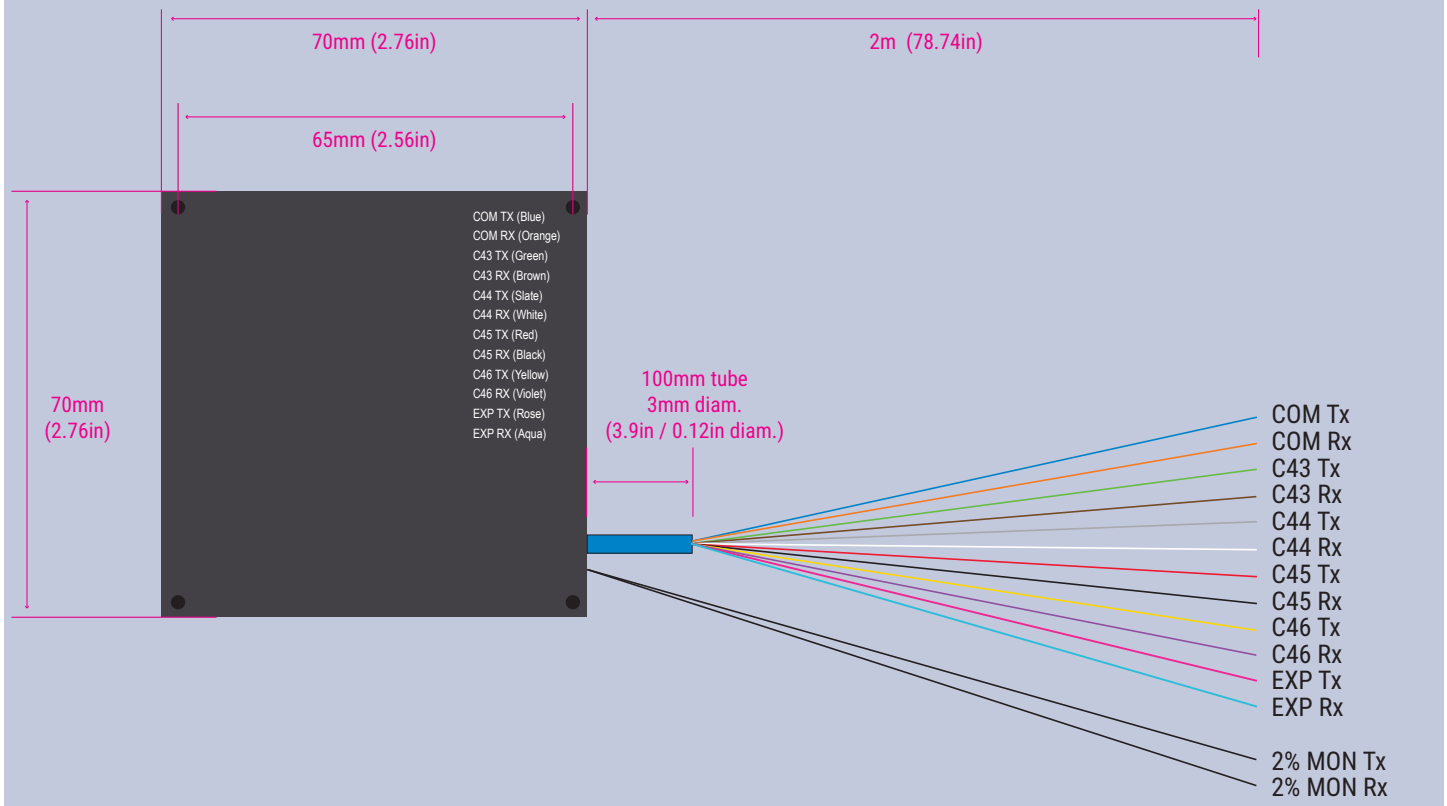
Channel	Mux IL (dB)	Dmux IL (dB)	Paired IL (dB)
ITU ch. 25	≤ 1.5	≤ 2.7	≤ 4.2
ITU ch. 26	≤ 1.9	≤ 2.3	≤ 4.2
ITU ch. 27	≤ 2.3	≤ 1.9	≤ 4.2
ITU ch. 28	≤ 2.7	≤ 1.5	≤ 4.2
EXP	≤ 2.3	≤ 2.3	≤ 4.6

ZS-DW1-A14CL-8-1-34-0-2



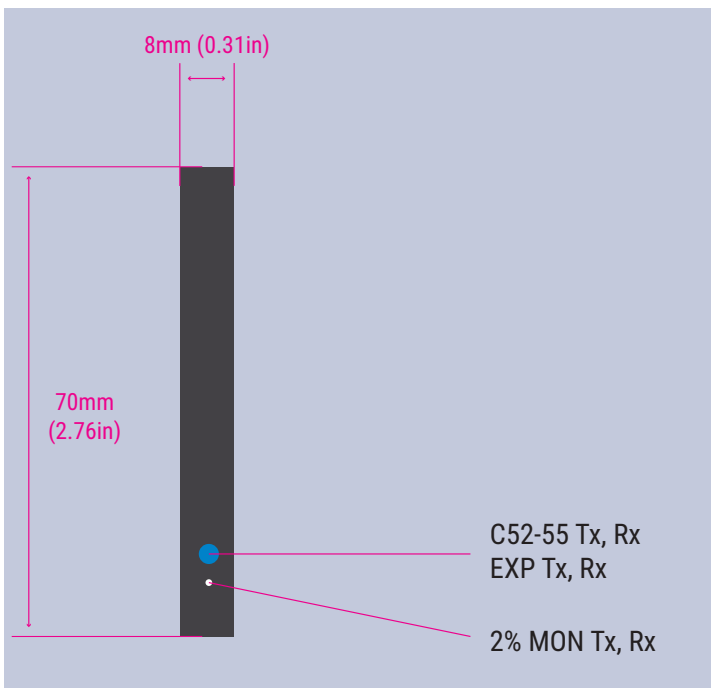
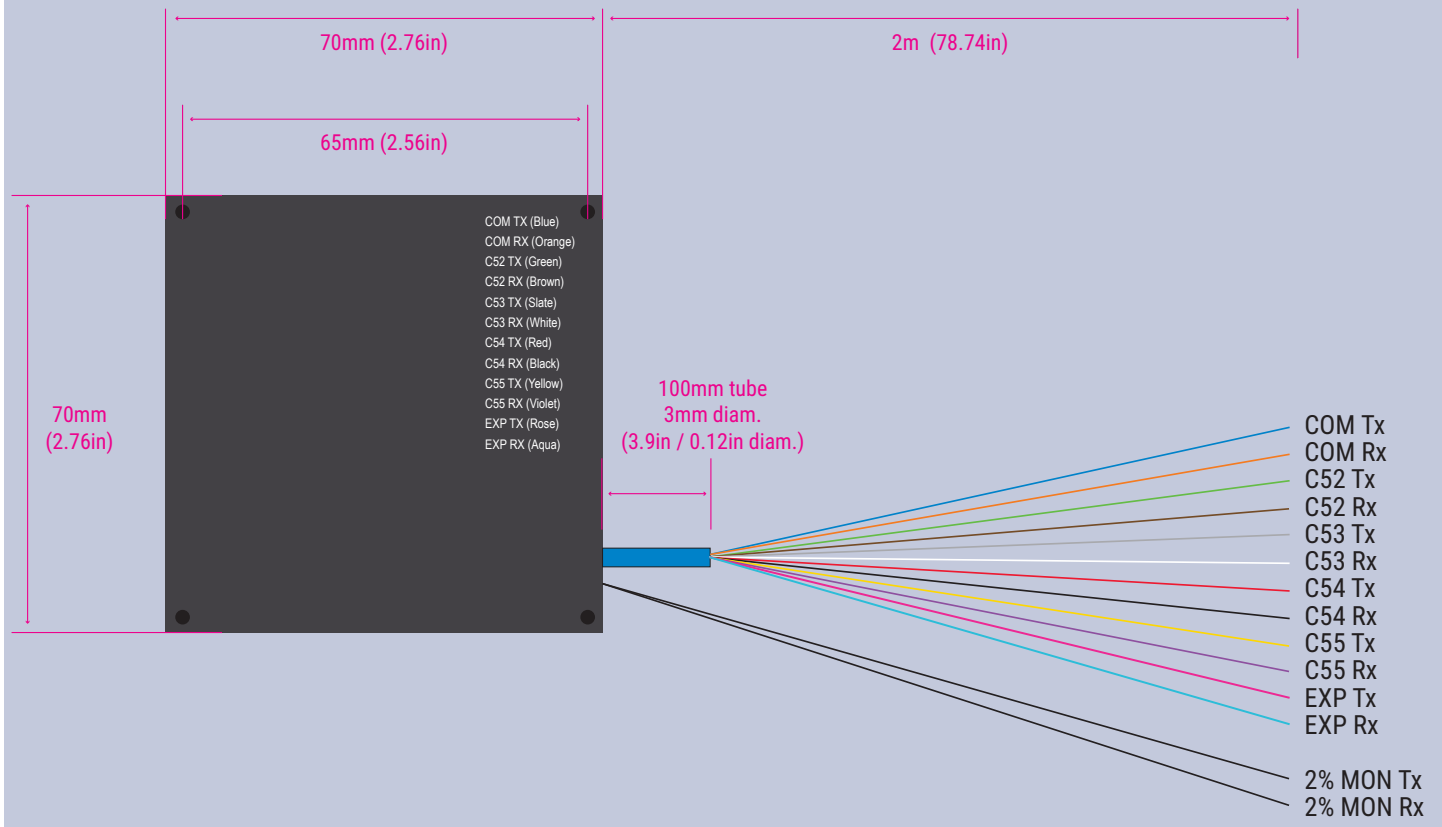
Channel	Mux IL (dB)	Dmux IL (dB)	Paired IL (dB)
ITU ch. 34	≤ 1.5	≤ 2.7	≤ 4.2
ITU ch. 35	≤ 1.9	≤ 2.3	≤ 4.2
ITU ch. 36	≤ 2.3	≤ 1.9	≤ 4.2
ITU ch. 37	≤ 2.7	≤ 1.5	≤ 4.2
EXP	≤ 2.3	≤ 2.3	≤ 4.6

ZS-DW1-A14CL-8-1-43-0-2



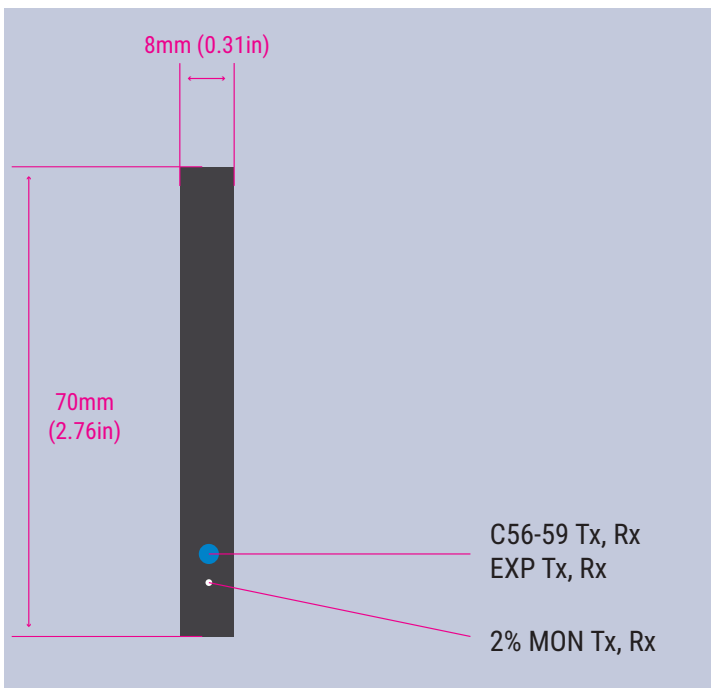
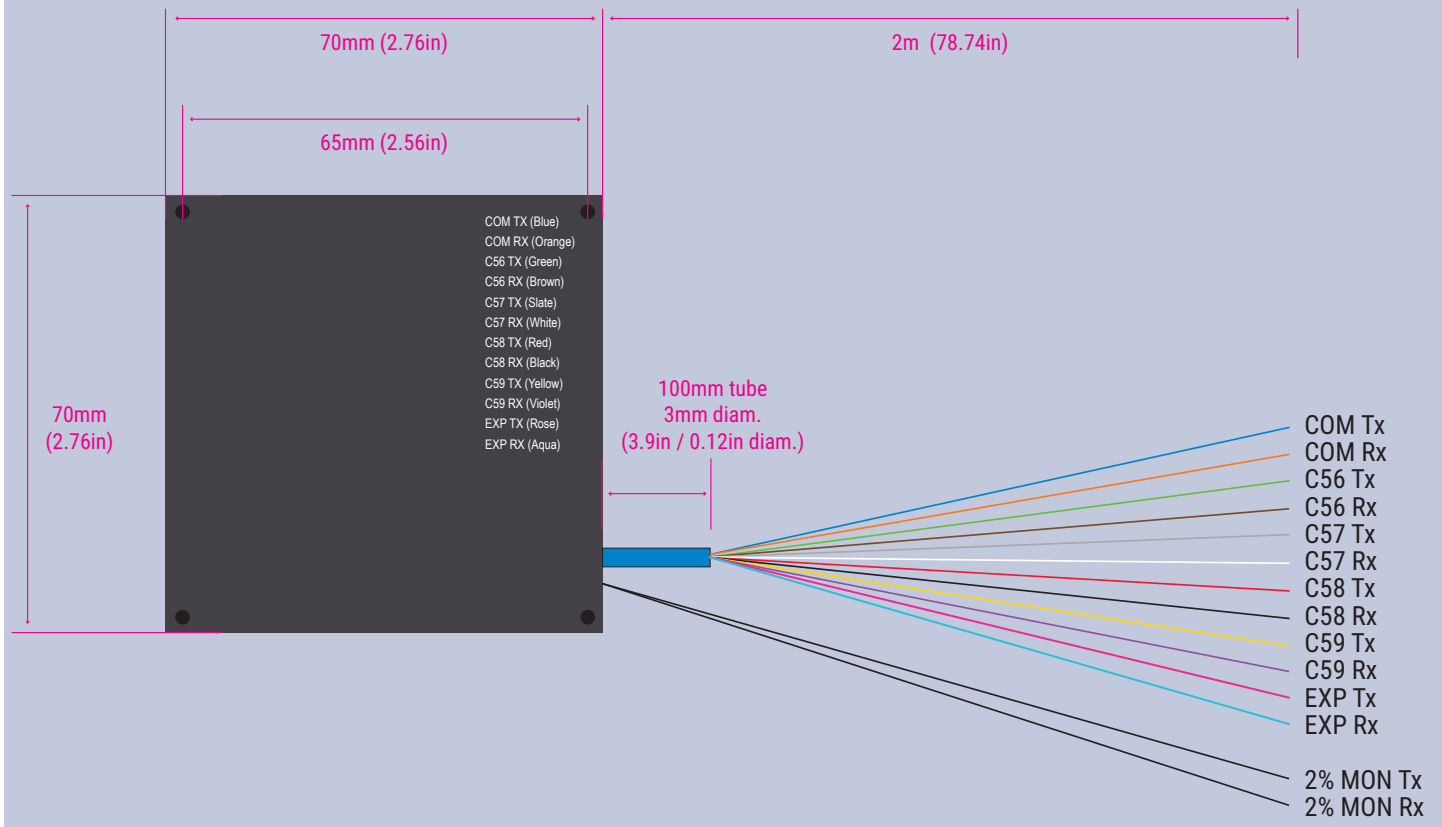
Channel	Mux IL (dB)	Dmux IL (dB)	Paired IL (dB)
ITU ch. 43	≤ 1.5	≤ 2.7	≤ 4.2
ITU ch. 44	≤ 1.9	≤ 2.3	≤ 4.2
ITU ch. 45	≤ 2.3	≤ 1.9	≤ 4.2
ITU ch. 46	≤ 2.7	≤ 1.5	≤ 4.2
EXP	≤ 2.3	≤ 2.3	≤ 4.6

ZS-DW1-A14CL-8-1-52-0-2



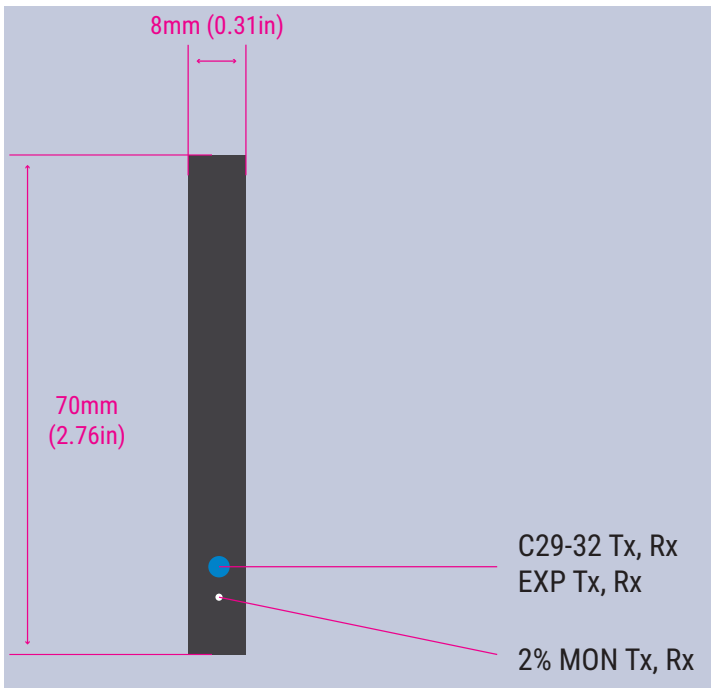
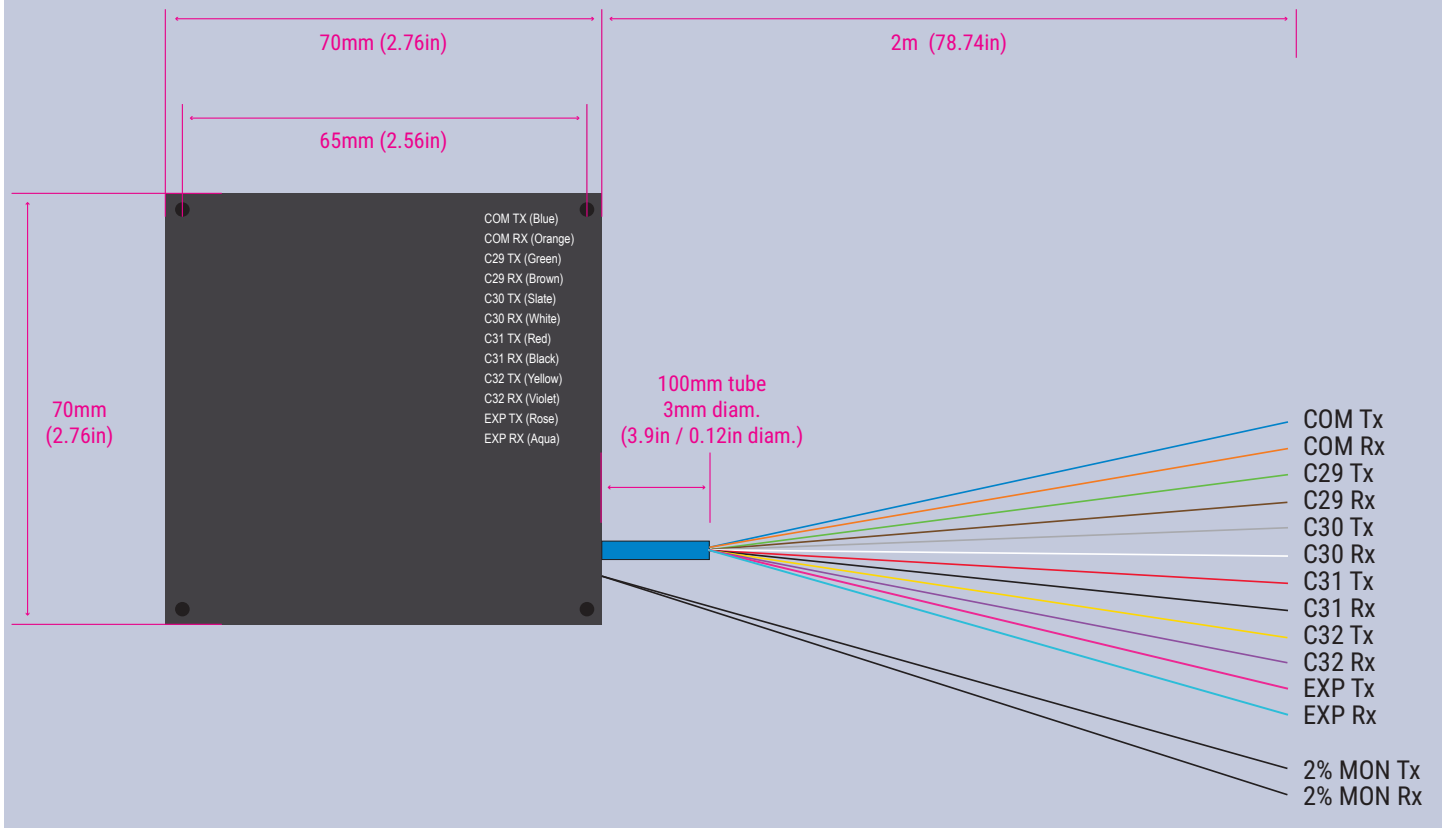
Channel	Mux IL (dB)	Dmx IL (dB)	Paired IL (dB)
ITU ch. 52	≤ 1.5	≤ 2.7	≤ 4.2
ITU ch. 53	≤ 1.9	≤ 2.3	≤ 4.2
ITU ch. 54	≤ 2.3	≤ 1.9	≤ 4.2
ITU ch. 55	≤ 2.7	≤ 1.5	≤ 4.2
EXP	≤ 2.3	≤ 2.3	≤ 4.6

ZS-DW1-A14CL-8-1-56-0-2



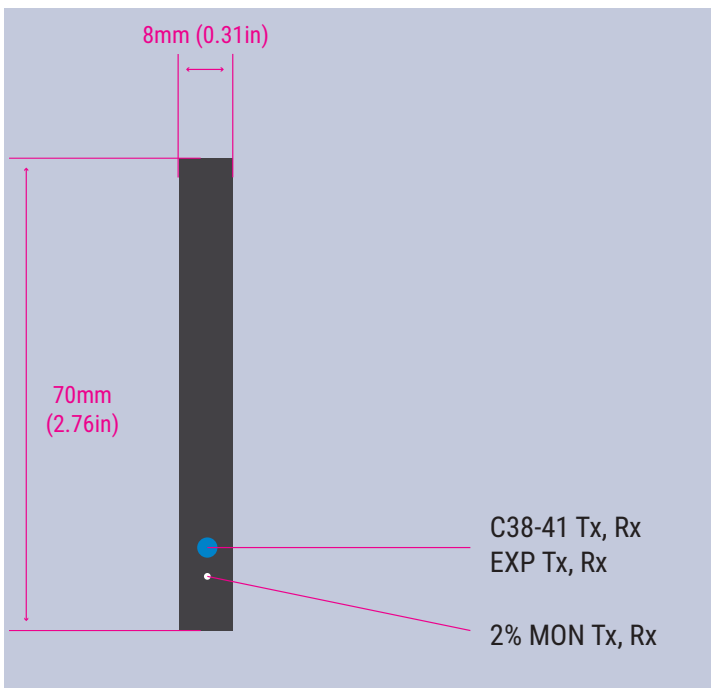
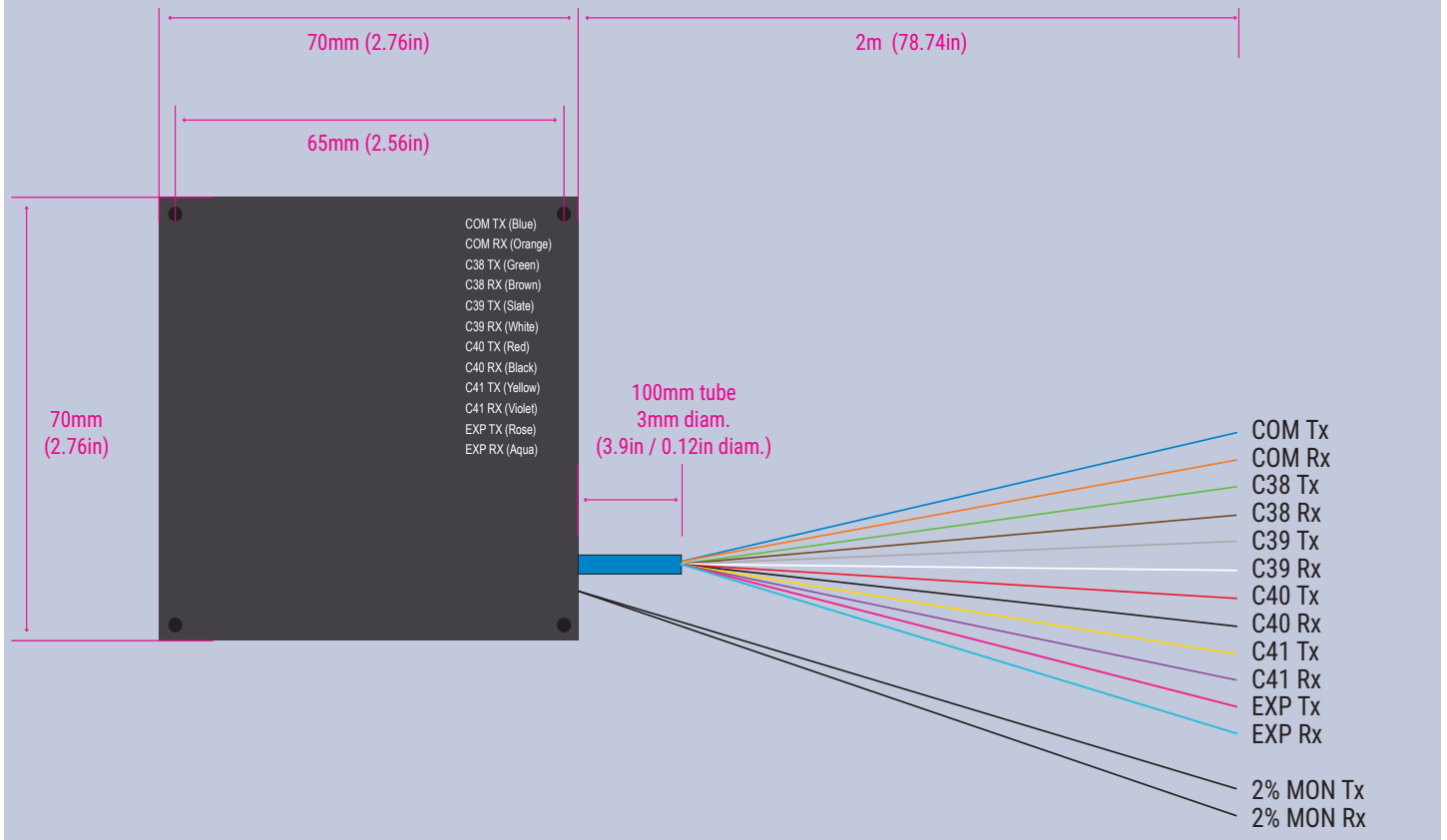
Channel	Mux IL (dB)	Dmx IL (dB)	Paired IL (dB)
ITU ch. 56	≤ 1.5	≤ 2.7	≤ 4.2
ITU ch. 57	≤ 1.9	≤ 2.3	≤ 4.2
ITU ch. 58	≤ 2.3	≤ 1.9	≤ 4.2
ITU ch. 59	≤ 2.7	≤ 1.5	≤ 4.2
EXP	≤ 2.3	≤ 2.3	≤ 4.6

ZS-DW1-A14CL-8-1-29-0-2



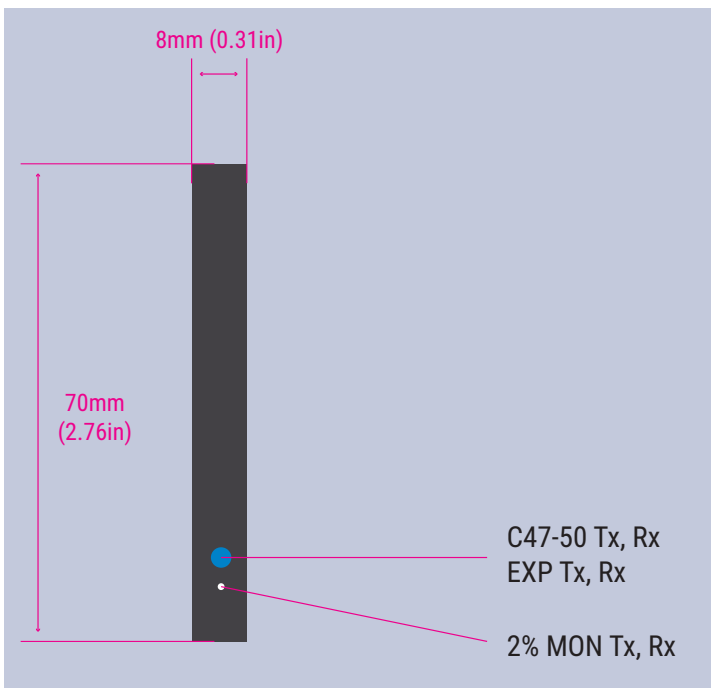
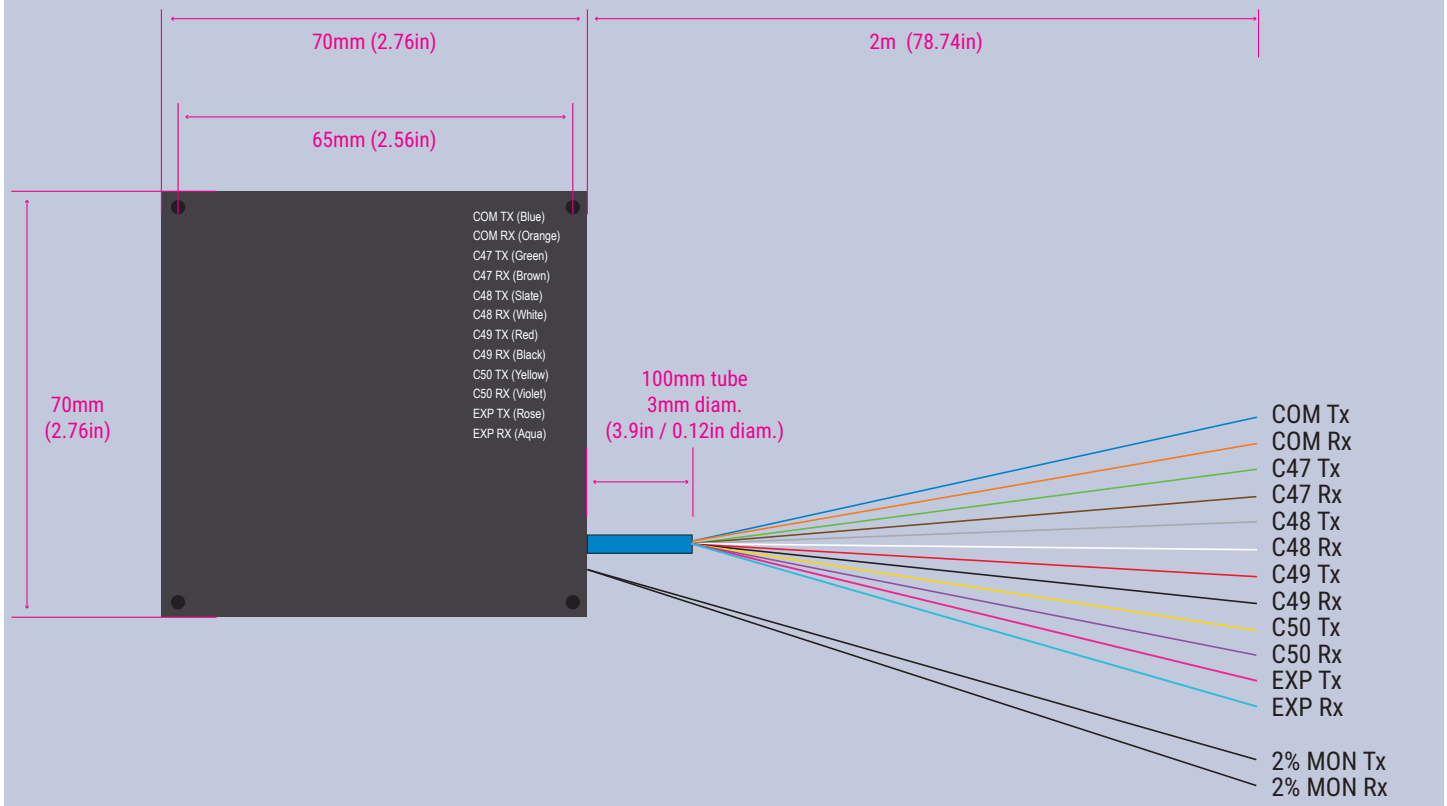
Channel	Mux IL (dB)	Dmux IL (dB)	Paired IL (dB)
ITU ch. 29	≤ 1.5	≤ 2.7	≤ 4.2
ITU ch. 30	≤ 1.9	≤ 2.3	≤ 4.2
ITU ch. 31	≤ 2.3	≤ 1.9	≤ 4.2
ITU ch. 32	≤ 2.7	≤ 1.5	≤ 4.2
EXP	≤ 2.3	≤ 2.3	≤ 4.6

ZS-DW1-A14CL-8-1-38-0-2



Channel	Mux IL (dB)	Dmux IL (dB)	Paired IL (dB)
ITU ch. 38	≤ 1.5	≤ 2.7	≤ 4.2
ITU ch. 39	≤ 1.9	≤ 2.3	≤ 4.2
ITU ch. 40	≤ 2.3	≤ 1.9	≤ 4.2
ITU ch. 41	≤ 2.7	≤ 1.5	≤ 4.2
EXP	≤ 2.3	≤ 2.3	≤ 4.6

ZS-DW1-A14CL-8-1-47-0-2



Channel	Mux IL (dB)	Dmux IL (dB)	Paired IL (dB)
ITU ch. 47	≤ 1.5	≤ 2.7	≤ 4.2
ITU ch. 48	≤ 1.9	≤ 2.3	≤ 4.2
ITU ch. 49	≤ 2.3	≤ 1.9	≤ 4.2
ITU ch. 50	≤ 2.7	≤ 1.5	≤ 4.2
EXP	≤ 2.3	≤ 2.3	≤ 4.6