

Features:

- 2x2 Optical Bypass Module
- Dual and Single Fiber
- RoHS Compliant
- Operating Temperature Range: -20°C to 70°C
- Storage Temperature Range: -40°C to 85°C
- Dimensions: 130mm x 130mm x 30mm
- Weight: 510g



1. Description

The Optical Bypass Module is an ideal component for protecting optical networks during power loss. During intermittent power recovery surges, operators can select a delay before the module resumes its normal mode after power loss. This will enable the module to stable power on before network traffic resumes. Our modules offer reliable performance and low insertion loss in an efficient package that enables painless integration into high-density optical communication systems. Modules are available in both dual and single fiber versions.

2. Specifications

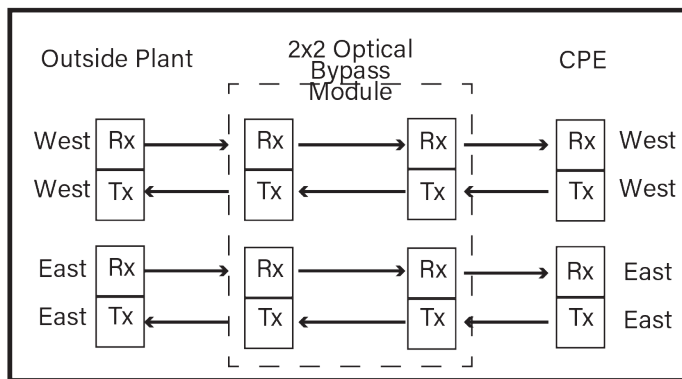
| Parameters (units) | Dual and Single Fiber | |
|------------------------|-----------------------|---------------|
| | Multi-Mode | Single-Mode |
| Wavelength Range (nm)* | 850 | 1260-1650 |
| Insertion Loss (dB) | 0.8 (Typical) | 0.6 (Typical) |
| | 1.2 (Maximum) | 1.0 (Maximum) |
| Return Loss (dB) | ≥30 | ≥50 |
| Crosstalk (dB) | ≥30 | ≥50 |
| PDL / WDL / TDL (dB) | ≤0.05 / ≤0.25 / ≤0.25 | |
| Repeatability (dB) | ≤0.02 | |
| Power Supply (V)* | 3.0 or 5.0 | |

| Parameters (units) | Multi-Mode | Single-Mode |
|-------------------------------------|--|-------------|
| Lifetime (times) | $\geq 10^7$ | |
| Switch Time (ms) | ≤ 8 | |
| Delay Time, Resume Normal Mode (s)* | 0, 60, 120 (selectable via DIP switch) 0, 120, 180 (selectable via DIP switch) 5-7-10 Minute Timer | |
| Transmission Power (mW) | ≤ 500 | |
| Control Type* | Latching or Non-Latching | |
| Fiber Diameter (μm)* | 250 or 900 | |

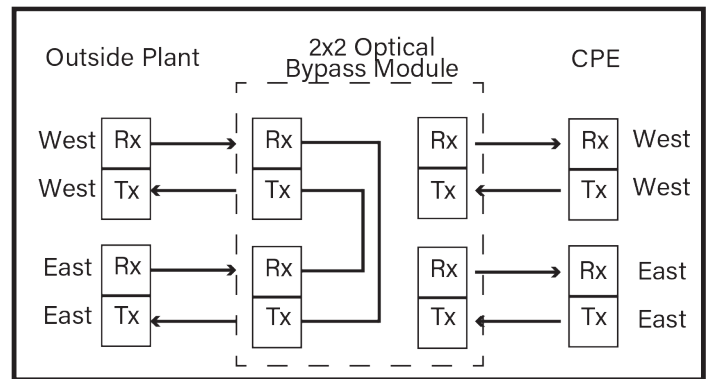
3. Optical Module Diagrams

Dual Fiber 2x2 Optical

Normal Mode

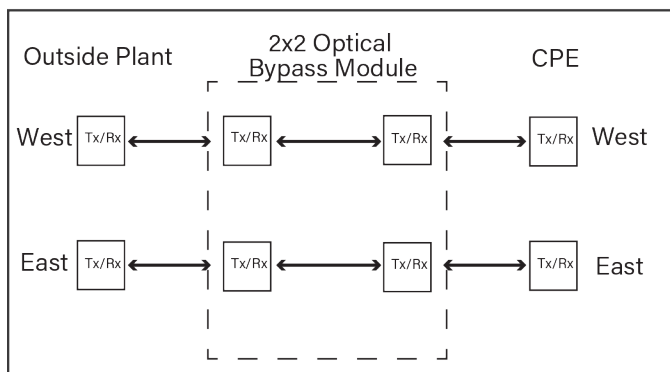


Bypass Mode

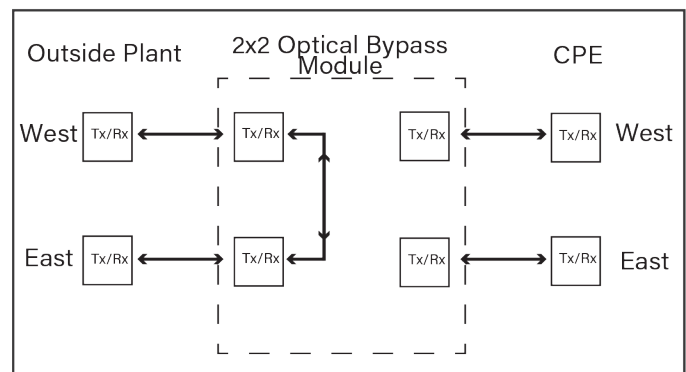


Single Fiber 2x2 Optical Switch

Normal Mode



Bypass Mode



4. Ordering Information

| Part Number | Description |
|---------------------|---|
| FMC-S355-L990-1-LP | Single Mode Dual Fiber Bypass Module, 5V Latching, 9/125um, LC |
| FMC-S355-N990-LP | Single Mode Dual Fiber Bypass Module, 5V Non-Latching, 9/125um, LC, With USB Cable |
| FMC-S355-N990-LP-R2 | Single Mode Dual Fiber Bypass Module, 5V Non-Latching, 180 Second Timer, 9/125um, LC, With USB Cable |
| FMC-S355-N990-LP-R7 | Single Mode Dual Fiber Bypass Module, 5V Non-Latching, (5-7-10) Minute Timer, 9/125um, LC, With USB Cable |
| FMC-1U3L | 1RU Faceplate 19" With 3 Ops Slots and Covers |

5. Faceplate Image



6. Contact Information

Tel: 800.590.9535

Web: <http://www.approvednetworks.com>